

# WARMING TRENDS<sup>®</sup>

SUPERIOR FIRE FEATURE SYSTEMS



**PATENTED**

[www.warming-trends.com/patents](http://www.warming-trends.com/patents)

# WARMING TRENDS<sup>®</sup>

DON'T SETTLE FOR **LESS.**

---

The patented CROSSFIRE<sup>®</sup> Brass Burner is the most fuel-efficient burner in the industry, producing taller, brighter, and more natural flames all while consuming less fuel.



Competitor Burner with 180K BTUs



CFB180 CROSSFIRE<sup>®</sup> Brass Burner with 180K BTUs

SUPERIOR DESIGN. SUPERIOR PERFORMANCE.  
**SUPERIOR FIRE FEATURE SYSTEMS.**

RELIABLE LEAD TIMES | MADE IN THE U.S.A. | 100% BRASS | LIFETIME WARRANTY

# TABLE OF CONTENTS

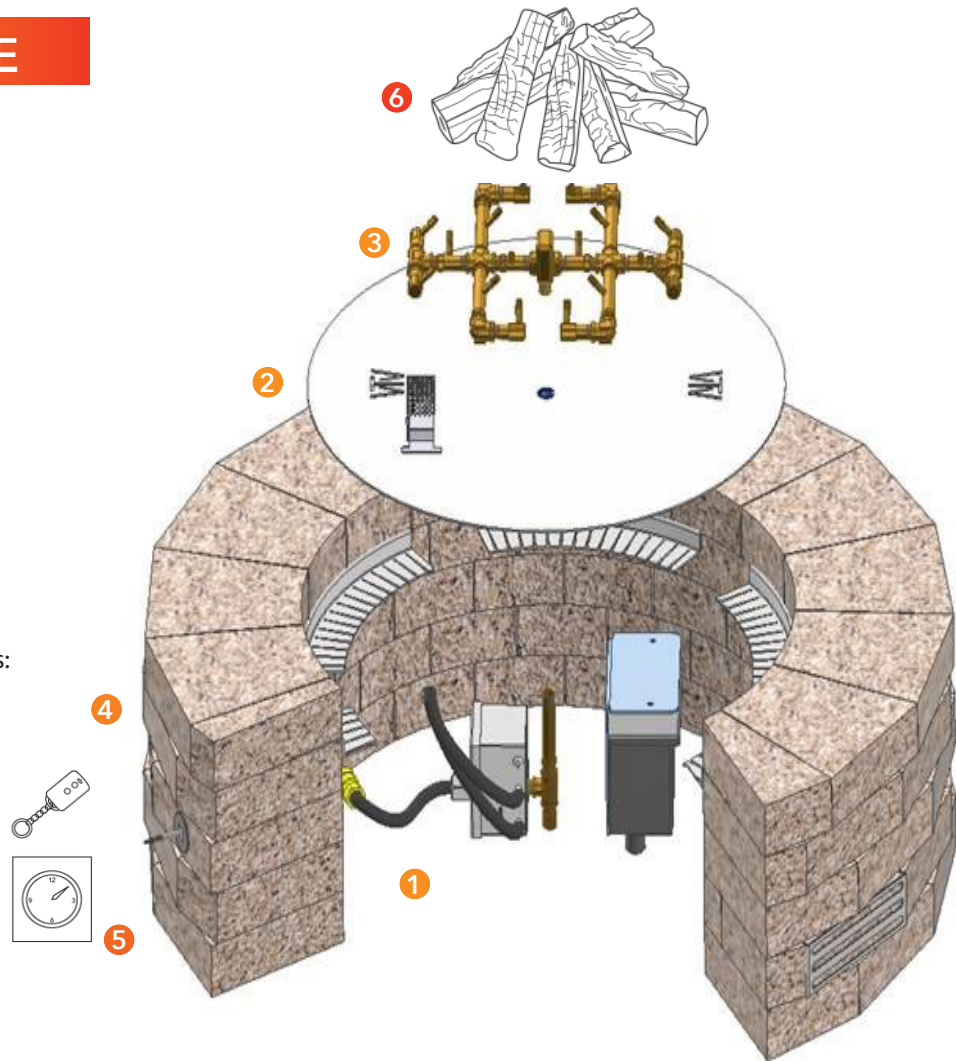
---

REFERENCE GUIDE	5
BURNERS	
Options for Circular and Square Openings	6
Options for Rectangular Openings and Outdoor Fireplaces	12
READY-TO-FINISH KITS	21
GAS INSERT KITS FOR PAVER FIRE FEATURES	27
IGNITIONS AND ELECTRONIC ACCESSORIES	34
PARTS, LOGS, AND MEDIA	40
WARRANTY	43



# SIX STEPS TO FIRE

- 1 Determine the BTU (gas) supply at your fire feature location.
- 2 Measure the interior dimensions of your fire feature and choose the corresponding plate/pan size.
- 3 Select burner based on plate/pan size and fuel type (natural gas or liquid propane.)
- 4 Choose an ignition system: match lit or a fully automatic ignition system.
- 5 Add optional electronic accessories: remote controls, dial timers, and emergency stops.
- 6 Complete your fire feature with media: lava rock or fire glass, steel or ceramic logs.



## PLEASE REMEMBER

- Plate/pan should be sized slightly smaller than the measurement of the opening to allow easier installation and removal for service.
- Manufacturer recommends a minimum 3" of clearance from all interior sides of enclosure to the nearest edge of burner to avoid damage to enclosure.
- For outdoor use only. Installation and service must be performed by a qualified installer, service agency, or gas supplier. Installation and use must follow all local codes.
- Follow all installation instructions and local codes. A copy of the Owner's Guide and Instruction Manual can be found on our website: [www.Warming-Trends.com](http://www.Warming-Trends.com)

**PATENTED**

[www.warming-trends.com/patents](http://www.warming-trends.com/patents)

Scan here for a digital version of our Instruction Manual



# QUICK REFERENCE GUIDE

If you have a standard-sized fire feature, the chart below may help determine which Warming Trends burner will be the best fit for you.

## BURNER MATCH FOR COMMON INTERIOR DIMENSIONS

for Circular or Square Fire Features

INTERIOR DIMENSION	CIRCULAR	SQUARE
18"	CFB60	CFB60
	CFB60XL	CFB60XL
	CFB84	CFB84
	CFBCTL120	CFBST120
	CFBO140	CFBO140
24"	CFB120	CFB120
	CFBCTXL120	CFBO180
	CFBO180	
30"	CFB180	CFB180
	CFB240	CFB240
	CFBCT240	CFBST240
	CFBO280	CFBO280
36"	CFB240	CFB240
	CFB290	CFB290
	CFBO280	CFBO280
	CFBO320	CFBO320
		CFBST400
42"	CFB350	CFB350
	CFBCT440	CFBST500
	CFBO360	CFBO360
48"	CFB350	CFB350
	CFBO360	CFBO360

### TECH TIP

Paver Kits are becoming more popular and Warming Trends offers kits – including burner, plate, flex line, and key valve kits - specifically designed to work with a variety of paver company block features. See page 27 for our Gas Insert Kit selections.

Plate should be sized slightly smaller than the measurement of the opening. This allows easier installation and removal for service.

Scan here for a digital version of our latest catalog



# OPTIONS FOR CIRCULAR AND SQUARE OPENINGS

Designed for standard-sized circular or square fire features, these CROSSFIRE® Brass Burners range from 60K to 450K BTUs.

When deciding which burner is best for your project, remember to consult the guide on page 5 for information about size compatibility.

### Need a different size, custom shape, or have BTU questions?

Whatever your question, our team is happy to help. Call our Flame Specialists at (303) 346-2224.

COMPLETE THE FEATURE WITH MEDIA, PAGE 40

SEE PAGE 34 FOR AVAILABLE COMPATIBLE IGNITION SYSTEMS

Original



Octagonal

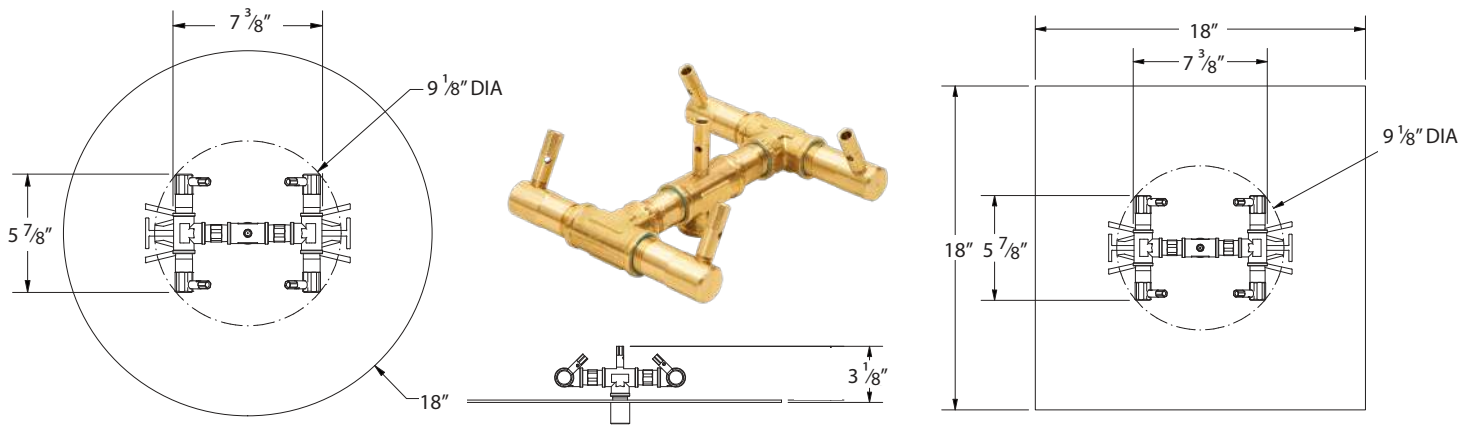


SKU BREAKDOWN

CFBO360NGALPL42CFK2

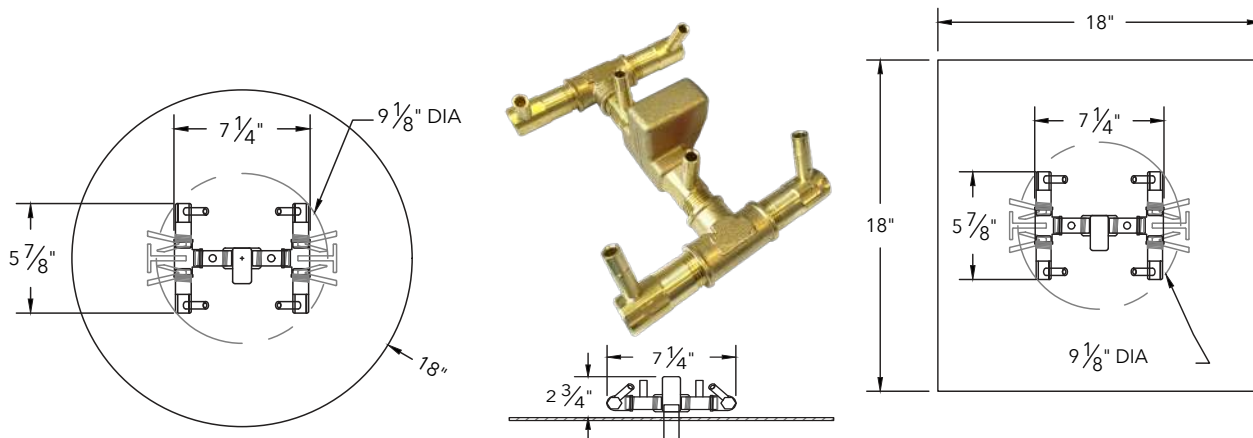
Octagonal (Burner Type)	Gas Type	Size of Plate	Flex Line Kit
CROSSFIRE® Brass Burner	BTU	Plate or Pan	Shape of Plate or Pan

## ORIGINAL CFB60 – Fits 18" plate or larger



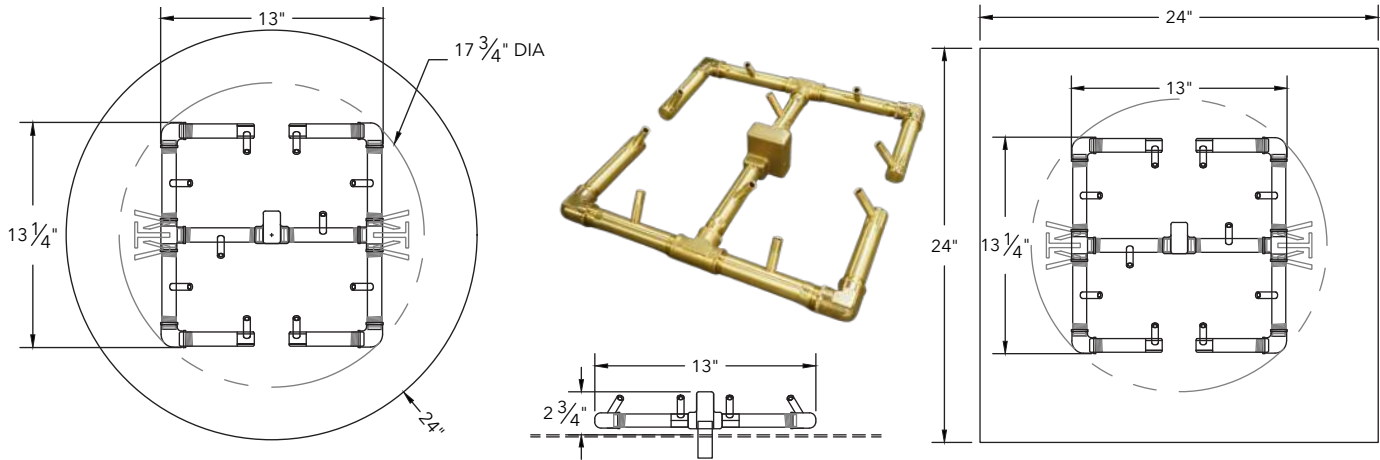
SKU (NG OR LP)	DESCRIPTION	SHIP WEIGHT	SHIP METHOD	
CFB60NG   CFB60LP	60K BTU Original Brass Burner	4 lbs	SHIPS PARCEL	
Recommended parts - Plate: ALPL18C (circle) or ALPL18S (square) • FK1 • Optional 3x Support Collars				
CIRCLE	CFB60NGALPL18C CFB60LPALPL18C	with 18" Circular Plate	10 lbs	SHIPS PARCEL
CIRCLE	CFB60NGALPL18CFK1 CFB60LPALPL18CFK1	with 18" Circular Plate + FK1	13 lbs	SHIPS PARCEL
SQUARE	CFB60NGALPL18S CFB60LPALPL18S	with 18" Square Plate	11 lbs	SHIPS PARCEL
SQUARE	CFB60NGALPL18SFK1 CFB60LPALPL18SFK1	with 18" Square Plate + FK1	14 lbs	SHIPS PARCEL

## ORIGINAL CFB60XL – Fits 18" plate or larger



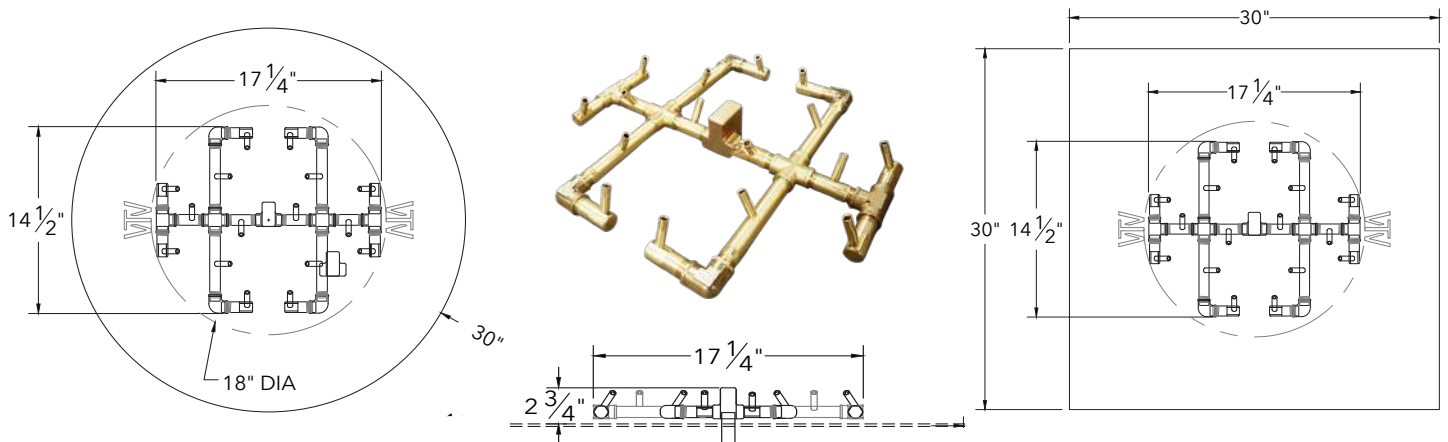
SKU (NG OR LP)	DESCRIPTION	SHIP WEIGHT	SHIP METHOD	
CFB60XLNG   CFB60XLLP	60K BTU Original Brass Burner + WATERSTOP	4 lbs	SHIPS PARCEL	
Recommended parts - Plate: ALPL18C (circle) or ALPL18S (square) • FK1 • Optional 3x Support Collars				
CIRCLE	CFB60XLNGALPL18C CFB60XLLPALPL18C	with 18" Circular Plate	10 lbs	SHIPS PARCEL
CIRCLE	CFB60XLNGALPL18CFK1 CFB60XLLPALPL18CFK1	with 18" Circular Plate + FK1	13 lbs	SHIPS PARCEL
SQUARE	CFB60XLNGALPL18S CFB60XLLPALPL18S	with 18" Square Plate	11 lbs	SHIPS PARCEL
SQUARE	CFB60XLNGALPL18SFK1 CFB60XLLPALPL18SFK1	with 18" Square Plate + FK1	14 lbs	SHIPS PARCEL

## ORIGINAL CFB120 – Fits 24" plate or larger



SKU (NG OR LP)	DESCRIPTION	SHIP WEIGHT	SHIP METHOD
CFB120NG   CFB120LP	120K BTU Original Brass Burner + WATERSTOP	8 lbs	SHIPS PARCEL
Recommended parts - Plate: ALPL24C (circle) or ALPL24S (square) • FK1 • Optional 4x Support Collars			
CIRCLE	CFB120NGALPL24C CFB120LPALPL24C	with 24" Circular Plate	16 lbs SHIPS PARCEL
CIRCLE	CFB120NGALPL24CFK1 CFB120LPALPL24CFK1	with 24" Circular Plate + FK1	19 lbs SHIPS PARCEL
SQUARE	CFB120NGALPL24S CFB120LPALPL24S	with 24" Square Plate	18 lbs SHIPS PARCEL
SQUARE	CFB120NGALPL24SFK1 CFB120LPALPL24SFK1	with 24" Square Plate + FK1	21 lbs SHIPS PARCEL

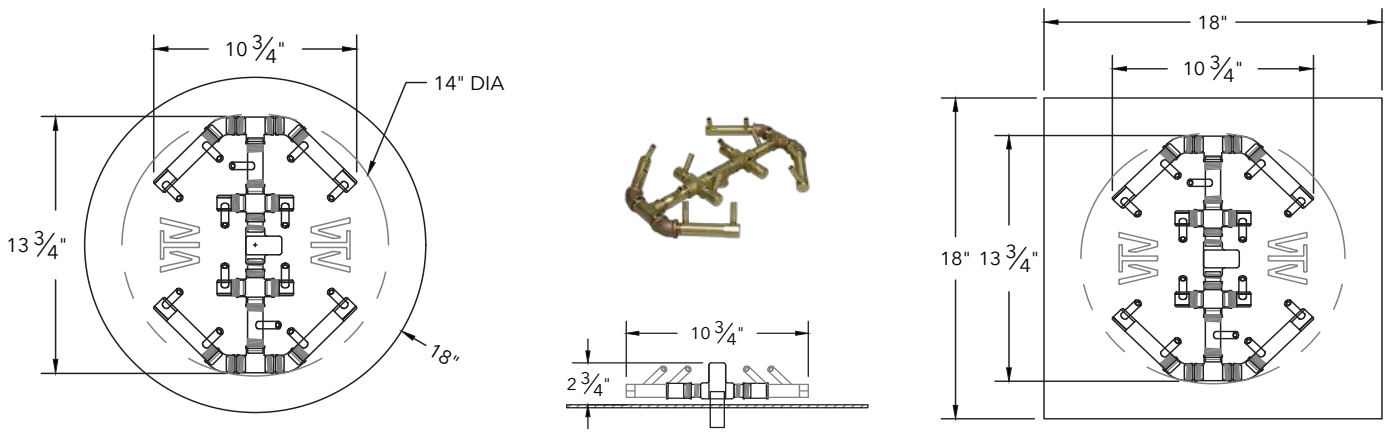
## ORIGINAL CFB180 – Fits 30" plate or larger



SKU (NG OR LP)	DESCRIPTION	SHIP WEIGHT	SHIP METHOD
CFB180NG   CFB180LP	180K BTU Original Brass Burner + WATERSTOP	9 lbs	SHIPS PARCEL
Recommended parts - Plate: ALPL30C (circle) or ALPL30S (square) • FK1 • Optional 5x Support Collars			
CIRCLE	CFB180NGALPL30C CFB180LPALPL30C	with 30" Circular Plate	20 lbs SHIPS PARCEL
CIRCLE	CFB180NGALPL30CFK1 CFB180LPALPL30CFK1	with 30" Circular Plate + FK1	23 lbs SHIPS PARCEL
SQUARE	CFB180NGALPL30S CFB180LPALPL30S	with 30" Square Plate	23 lbs SHIPS PARCEL
SQUARE	CFB180NGALPL30SFK1 CFB180LPALPL30SFK1	with 30" Square Plate + FK1	26 lbs SHIPS PARCEL

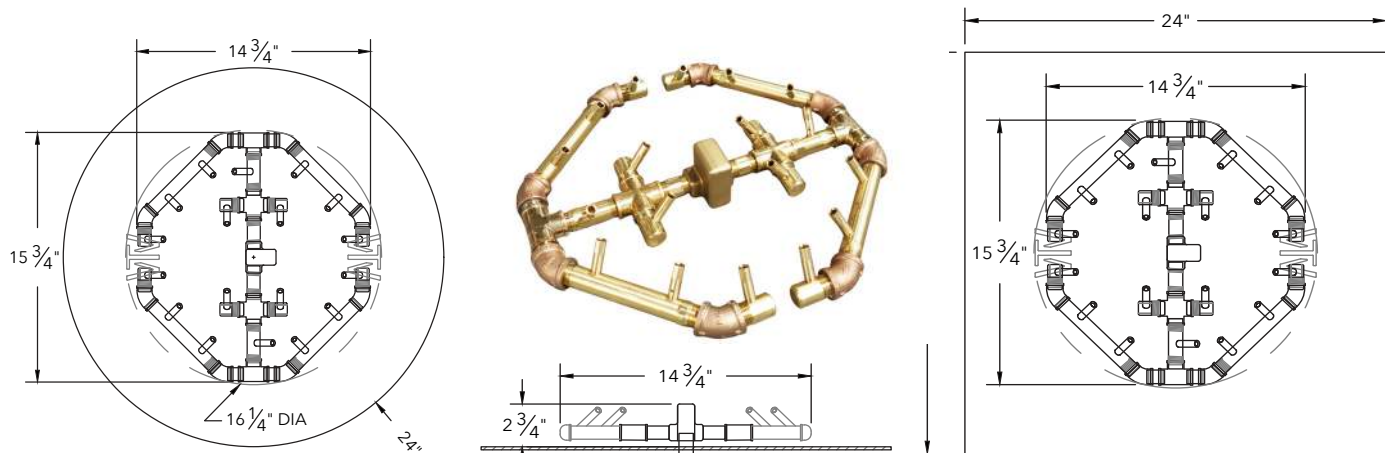


## OCTAGONAL CFBO140 – Fits 18" plate or larger



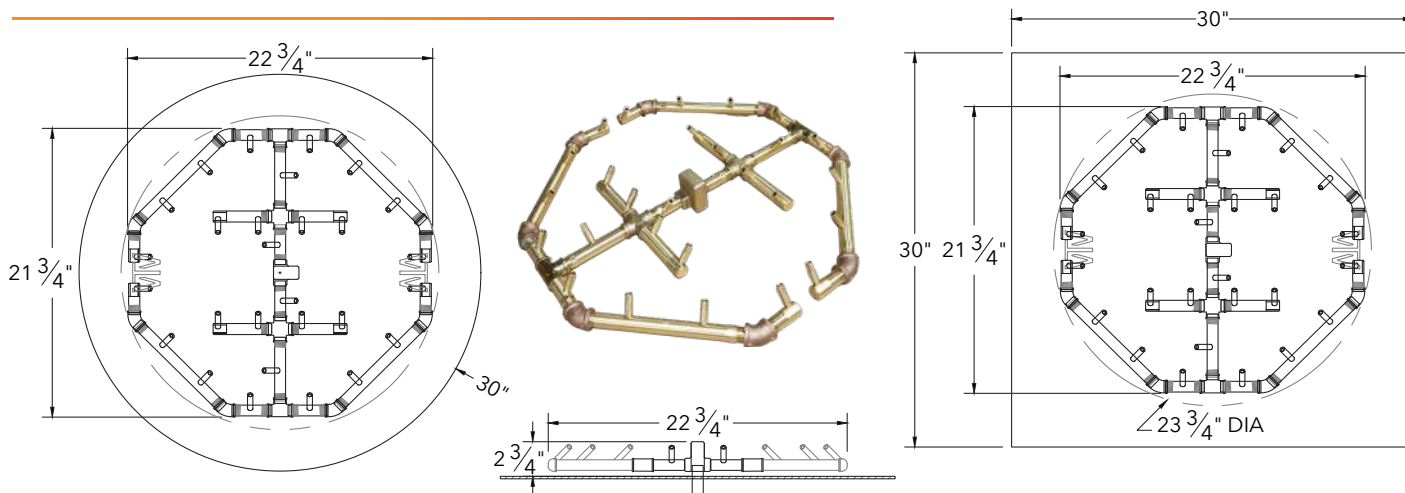
SKU (NG OR LP)	DESCRIPTION	SHIP WEIGHT	SHIP METHOD	
CFBO140NG   CFBO140LP	140K BTU Octagonal Brass Burner + WATERSTOP	9 lbs	SHIPS PARCEL	
Recommended parts - Plate: ALPL18C (circle) or ALPL18S (square) • FK1 • Optional 3x Support Collars				
CIRCLE	CFBO140NGALPL18C CFBO140LPALPL18C	with 18" Circular Plate	15 lbs	SHIPS PARCEL
CIRCLE	CFBO140NGALPL18CFK1 CFBO140LPALPL18CFK1	with 18" Circular Plate + FK1	18 lbs	SHIPS PARCEL
SQUARE	CFBO140NGALPL18S CFBO140LPALPL18S	with 18" Square Plate	16 lbs	SHIPS PARCEL
SQUARE	CFBO140NGALPL18SFK1 CFBO140LPALPL18SFK1	with 18" Square Plate + FK1	19 lbs	SHIPS PARCEL

## OCTAGONAL CFBO180 – Fits 24" plate or larger



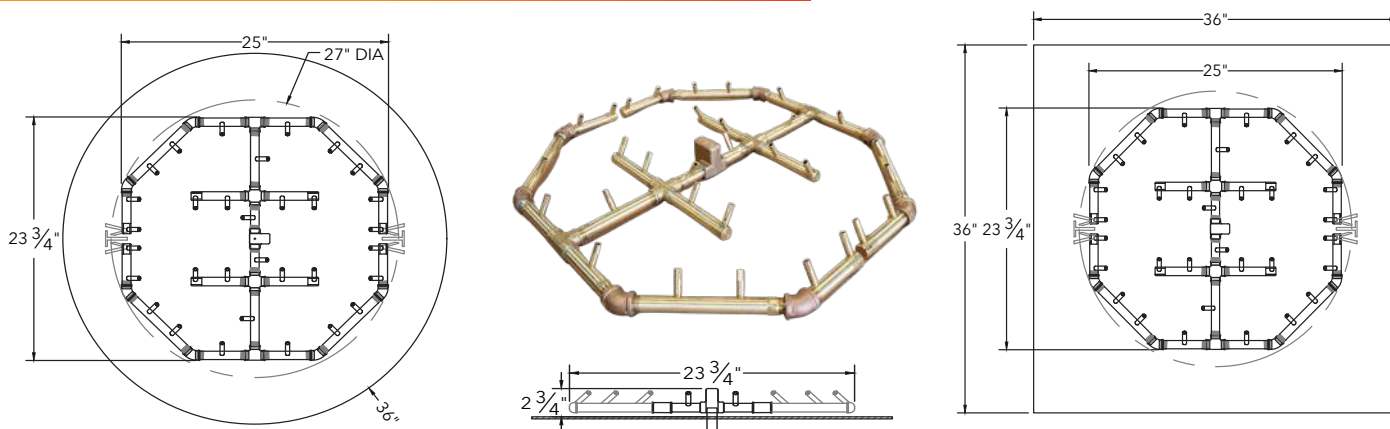
SKU (NG OR LP)	DESCRIPTION	SHIP WEIGHT	SHIP METHOD	
CFBO180NG   CFBO180LP	180K BTU Octagonal Brass Burner + WATERSTOP	10 lbs	SHIPS PARCEL	
Recommended parts - Plate: ALPL24C (circle) or ALPL24S (square) • FK1 • Optional 4x Support Collars				
CIRCLE	CFBO180NGALPL24C CFBO180LPALPL24C	with 24" Circular Plate	16 lbs	SHIPS PARCEL
CIRCLE	CFBO180NGALPL24CFK1 CFBO180LPALPL24CFK1	with 24" Circular Plate + FK1	19 lbs	SHIPS PARCEL
SQUARE	CFBO180NGALPL24S CFBO180LPALPL24S	with 24" Square Plate	20 lbs	SHIPS PARCEL
SQUARE	CFBO180NGALPL24SFK1 CFBO180LPALPL24SFK1	with 24" Square Plate + FK1	23 lbs	SHIPS PARCEL

## OCTAGONAL CFBO280 – Fits 30" plate or larger



SKU (NG OR LP)	DESCRIPTION	SHIP WEIGHT	SHIP METHOD	
CFBO280NG   CFBO280LP	280K BTU Octagonal Brass Burner + WATERSTOP	13 lbs	SHIPS PARCEL	
Recommended parts - Plate: ALPL30C (circle) or ALPL30S (square) • FK2 • Optional 5x Support Collars				
CIRCLE	CFBO280NGALPL30C CFBO280LPALPL30C	with 30" Circular Plate	24 lbs	SHIPS PARCEL
CIRCLE	CFBO280NGALPL30CFK2 CFBO280LPALPL30CFK2	with 30" Circular Plate + FK2	31 lbs	SHIPS PARCEL
SQUARE	CFBO280NGALPL30S CFBO280LPALPL30S	with 30" Square Plate	27 lbs	SHIPS PARCEL
SQUARE	CFBO280NGALPL30SFK2 CFBO280LPALPL30SFK2	with 30" Square Plate + FK2	34 lbs	SHIPS PARCEL

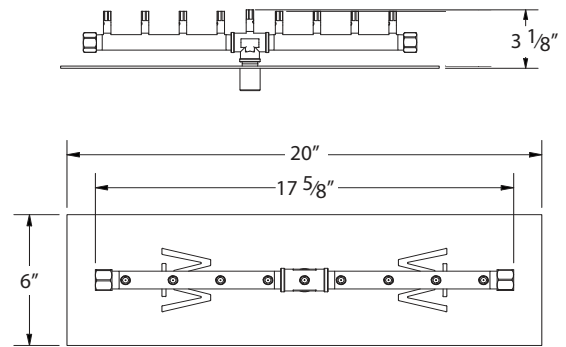
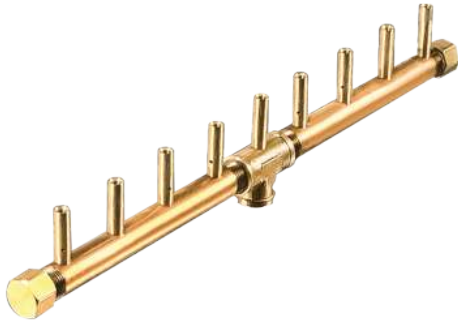
## OCTAGONAL CFBO320 – Fits 36" plate or larger



SKU (NG OR LP)	DESCRIPTION	SHIP WEIGHT	SHIP METHOD	
CFBO320NG   CFBO320LP	320K BTU Octagonal Brass Burner + WATERSTOP	13 lbs	SHIPS PARCEL	
Recommended parts - Plate: ALPL36C (circle) or ALPL36S (square) • FK2 • Optional 4x Support Collars				
CIRCLE	CFBO320NGALPL36C CFBO320LPALPL36C	with 36" Circular Plate	29 lbs	SHIPS PARCEL
CIRCLE	CFBO320NGALPL36CFK2 CFBO320LPALPL36CFK2	with 36" Circular Plate + FK2	36 lbs	SHIPS PARCEL
SQUARE	CFBO320NGALPL36S CFBO320LPALPL36S	with 36" Square Plate	32 lbs	SHIPS PARCEL
SQUARE	CFBO320NGALPL36SFK2 CFBO320LPALPL36SFK2	with 36" Square Plate + FK2	39 lbs	SHIPS PARCEL

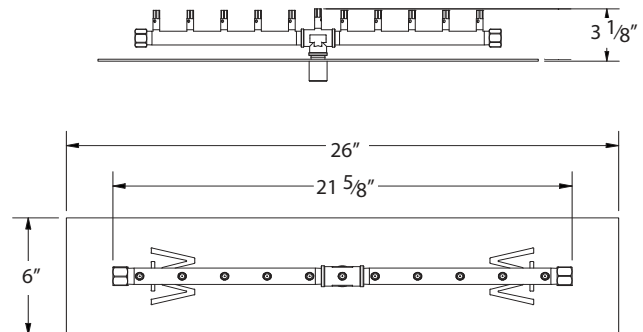
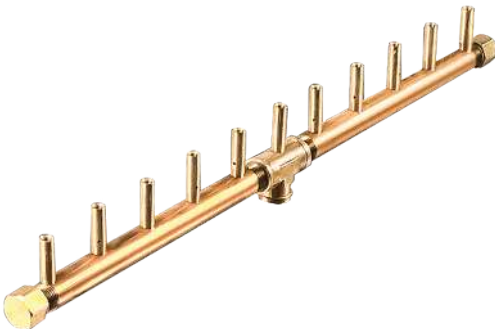


## LINEAR CFBL90 – For 20" x 6" opening or larger



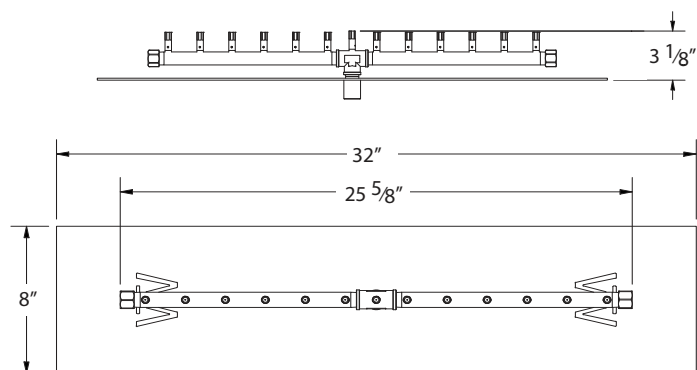
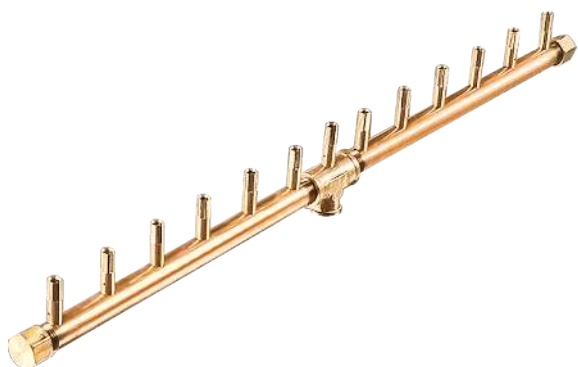
SKU (NG OR LP)	DESCRIPTION	SHIP WEIGHT	SHIP METHOD
CFBL90NG   CFBL90LP	90K BTU Linear Brass Burner	4 lbs	SHIPS PARCEL
Recommended parts - Plate: ALPL206 • FK1 • Optional 3x Support Collars			
CFBL90NGALPL206 CFBL90LPALPL206	with 20" x 6" Rectangular Plate	6 lbs	SHIPS PARCEL
CFBL90NGALPL206FK1 CFBL90LPALPL206FK1	with 20" x 6" Plate + FK1	9 lbs	SHIPS PARCEL

## LINEAR CFBL110 – For 26" x 6" opening or larger



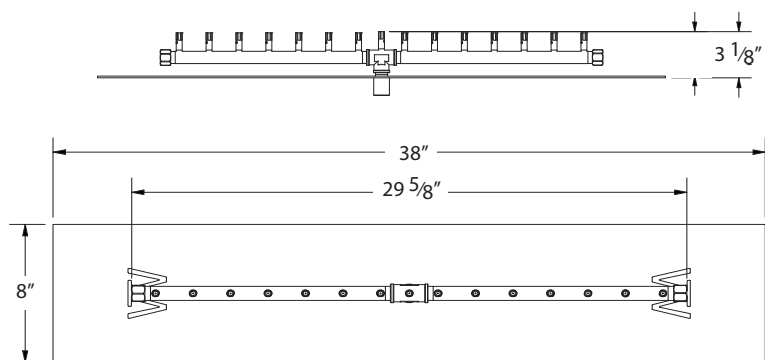
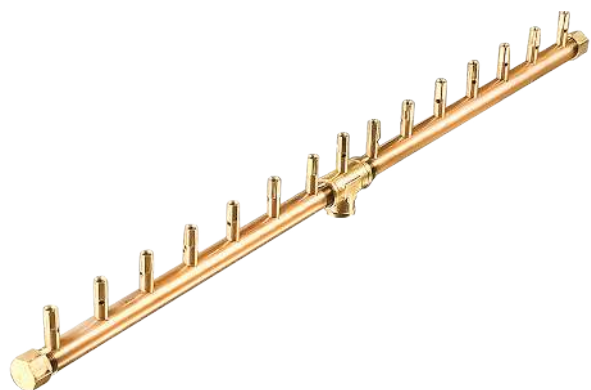
SKU (NG OR LP)	DESCRIPTION	SHIP WEIGHT	SHIP METHOD
CFBL110NG   CFBL110LP	110K BTU Linear Brass Burner	5 lbs	SHIPS PARCEL
Recommended parts - Plate: ALPL266 • FK1 • Optional 3x Support Collars			
CFBL110NGALPL266 CFBL110LPALPL266	with 26" x 6" Rectangular Plate	8 lbs	SHIPS PARCEL
CFBL110NGALPL266FK1 CFBL110LPALPL266FK1	with 26" x 6" Plate + FK1	11 lbs	SHIPS PARCEL

## LINEAR CFBL130 – For 32" x 8" opening or larger



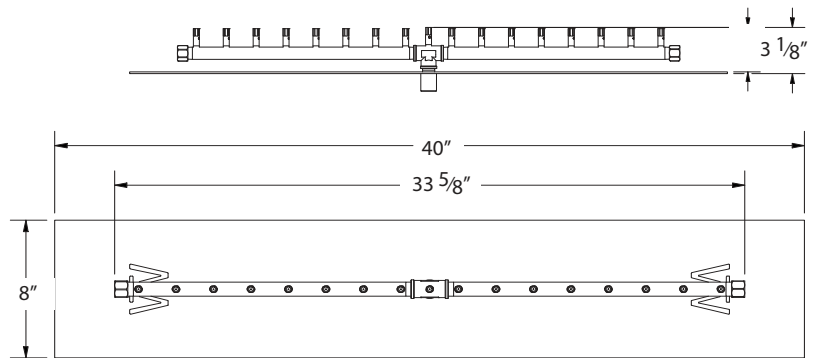
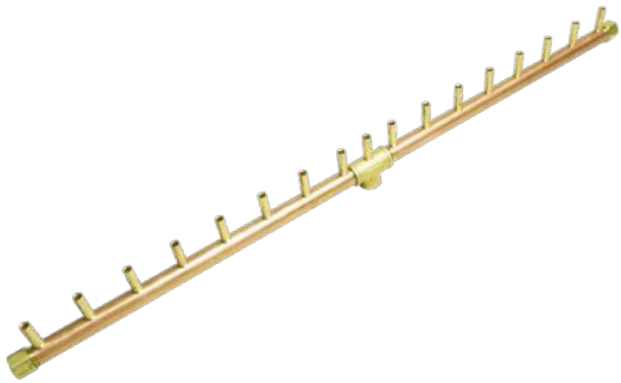
SKU (NG OR LP)	DESCRIPTION	SHIP WEIGHT	SHIP METHOD
CFBL130NG   CFBL130LP	130K BTU Linear Brass Burner	5 lbs	SHIPS PARCEL
Recommended parts - Plate: ALPL328 • FK1 • Optional 4x Support Collars			
CFBL130NGALPL328 CFBL130LPALPL328	with 32" x 8" Rectangular Plate	9 lbs	SHIPS PARCEL
CFBL130NGALPL328FK1 CFBL130LPALPL328FK1	with 32" x 8" Plate + FK1	12 lbs	SHIPS PARCEL

## LINEAR CFBL150 – For 38" x 8" opening or larger



SKU (NG OR LP)	DESCRIPTION	SHIP WEIGHT	SHIP METHOD
CFBL150NG   CFBL150LP	150K BTU Linear Brass Burner	5 lbs	SHIPS PARCEL
Recommended parts - Plate: ALPL388 • FK1 • Optional 4x Support Collars			
CFBL150NGALPL388 CFBL150LPALPL388	with 38" x 8" Rectangular Plate	9 lbs	SHIPS PARCEL
CFBL150NGALPL388FK1 CFBL150LPALPL388FK1	with 38" x 8" Plate + FK1	12 lbs	SHIPS PARCEL

**LINEAR CFBL170** – For 40" x 8" opening or larger



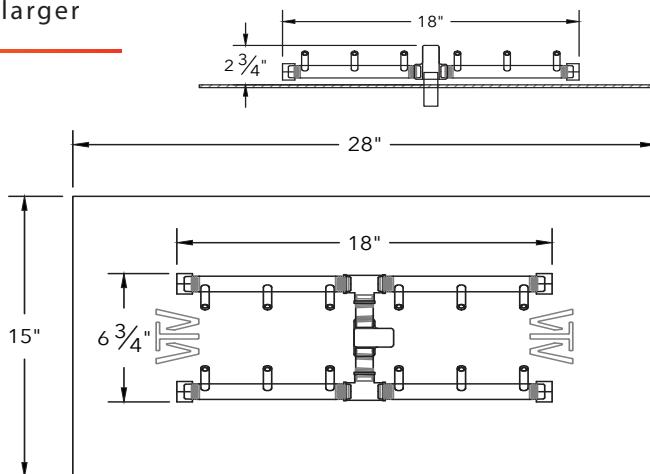
SKU (NG OR LP)	DESCRIPTION	SHIP WEIGHT	SHIP METHOD
CFBL170NG   CFBL170LP	170K BTU Linear Brass Burner	5 lbs	SHIPS PARCEL
Recommended parts - Plate: ALPL408 • FK1 • Optional 5x Support Collars			
CFBL170NGALPL408 CFBL170LPALPL408	with 40" x 8" Rectangular Plate	10 lbs	SHIPS PARCEL
CFBL170NGALPL408FK1 CFBL170LPALPL408FK1	with 40" x 8" Plate + FK1	13 lbs	SHIPS PARCEL



**FIRE.  
PERFECTED.**

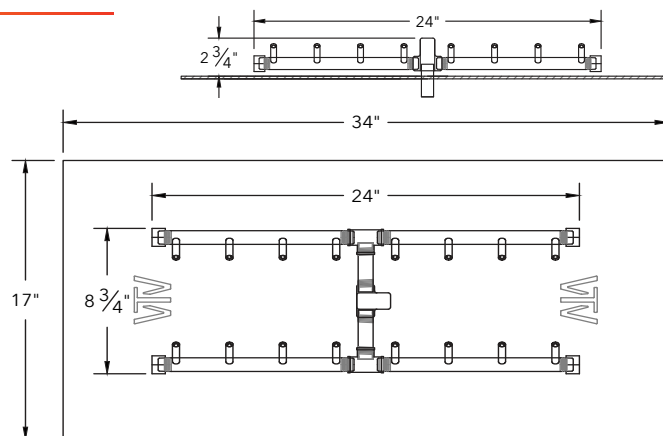
We deliver the tallest, brightest, and most natural looking flame for your project.

## H-STYLE CFBH120 – For 28" x 15" opening or larger



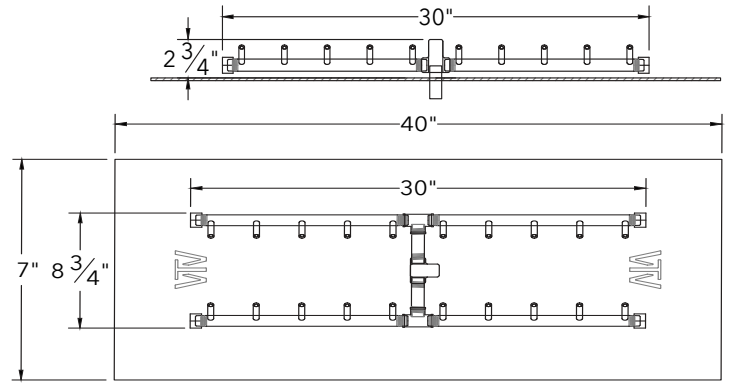
SKU (NG OR LP)	DESCRIPTION	SHIP WEIGHT	SHIP METHOD
CFBH120NG   CFBH120LP	120K BTU H-Style Brass Burner + WATERSTOP	7 lbs	SHIPS PARCEL
Recommended parts - Plate: ALPL2815 • FK1 • Optional 4x Support Collars			
CFBH120NGALPL2815 CFBH120LPALPL2815	with 28" x 15" Rectangular Plate	13 lbs	SHIPS PARCEL
CFBH120NGALPL2815FK1 CFBH120LPALPL2815FK1	with 28" x 15" Plate + FK1	16 lbs	SHIPS PARCEL

## H-STYLE CFBH160 – For 34" x 17" opening or larger



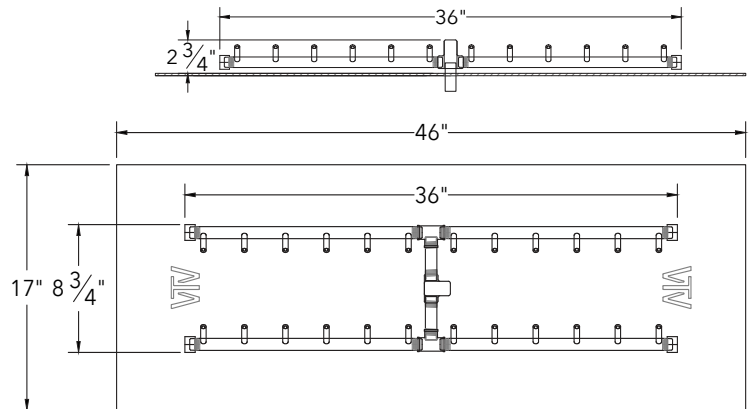
SKU (NG OR LP)	DESCRIPTION	SHIP WEIGHT	SHIP METHOD
CFBH160NG   CFBH160LP	160K BTU H-Style Brass Burner + WATERSTOP	8 lbs	SHIPS PARCEL
Recommended parts - Plate: ALPL3417 • FK1 • Optional 5x Support Collars			
CFBH160NGALPL3417 CFBH160LPALPL3417	with 34" x 17" Rectangular Plate	16 lbs	SHIPS PARCEL
CFBH160NGALPL3417FK1 CFBH160LPALPL3417FK1	with 34" x 17" Plate + FK1	19 lbs	SHIPS PARCEL

## H-STYLE CFBH200 – For 40" x 17" opening or larger



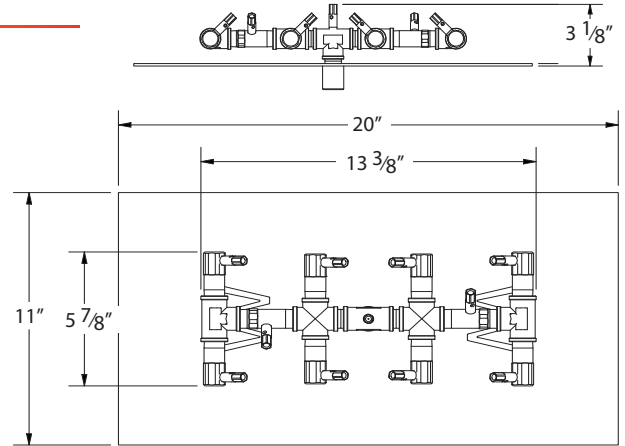
SKU (NG OR LP)	DESCRIPTION	SHIP WEIGHT	SHIP METHOD
CFBH200NG   CFBH200LP	200K BTU H-Style Brass Burner + WATERSTOP	9 lbs	SHIPS PARCEL
Recommended parts - Plate: ALPL4017 • FK1 • Optional 6x Support Collars			
CFBH200NGALPL4017 CFBH200LPALPL4017	with 40" x 17" Rectangular Plate	18 lbs	SHIPS PARCEL
CFBH200NGALPL4017FK1 CFBH200LPALPL4017FK1	with 40" x 17" Plate + FK1	21 lbs	SHIPS PARCEL

## H-STYLE CFBH240 – For 46" x 17" opening or larger



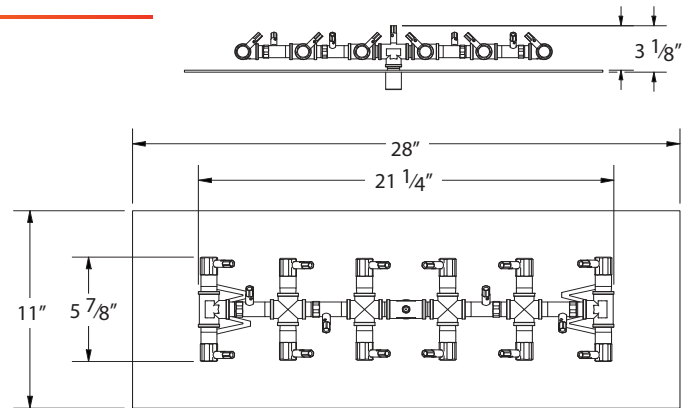
SKU (NG OR LP)	DESCRIPTION	SHIP WEIGHT	SHIP METHOD
CFBH240NG   CFBH240LP	240K BTU H-Style Brass Burner + WATERSTOP	10 lbs	SHIPS PARCEL
Recommended parts - Plate: ALPL4617 • FK1 • Optional 7x Support Collars			
CFBH240NGALPL4617 CFBH240LPALPL4617	with 46" x 17" Rectangular Plate	26 lbs	SHIPS PARCEL
CFBH240NGALPL4617FK1 CFBH240LPALPL4617FK1	with 46" x 17" Plate + FK1	29 lbs	SHIPS PARCEL

## TREE-STYLE CFBT110 – For 20" x 11" opening or larger



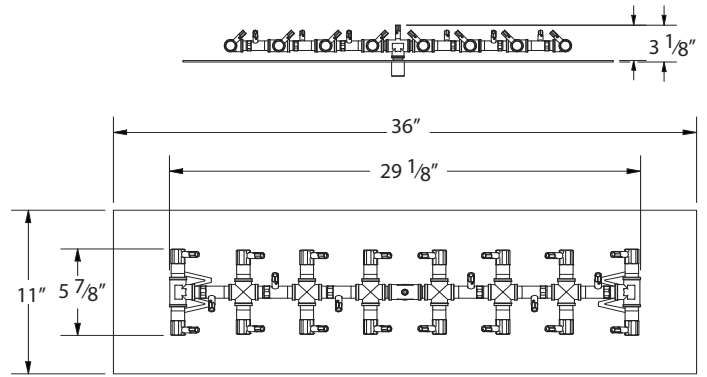
SKU (NG OR LP)	DESCRIPTION	SHIP WEIGHT	SHIP METHOD
CFBT110NG   CFBT110LP	110K BTU Tree-Style Brass Burner	6 lbs	SHIPS PARCEL
Recommended parts - Plate: ALPL2011 • FK1 • Optional 3x Support Collars			
CFBT110NGALPL2011 CFBT110LPALPL2011	with 20" x 11" Rectangular Plate	9 lbs	SHIPS PARCEL
CFBT110NGALPL2011FK1 CFBT110LPALPL2011FK1	with 20" x 11" Plate + FK1	12 lbs	SHIPS PARCEL

## TREE-STYLE CFBT170 – For 28" x 11" opening or larger



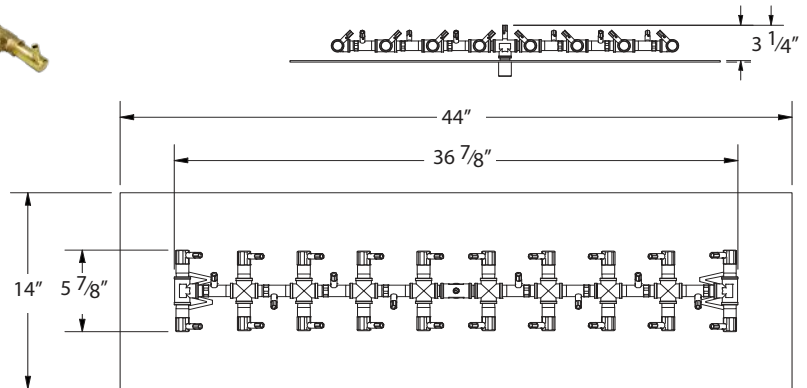
SKU (NG OR LP)	DESCRIPTION	SHIP WEIGHT	SHIP METHOD
CFBT170NG   CFBT170LP	170K BTU Tree-Style Brass Burner	8 lbs	SHIPS PARCEL
Recommended parts - Plate: ALPL2811 • FK1 • Optional 4x Support Collars			
CFBT170NGALPL2811 CFBT170LPALPL2811	with 28" x 11" Rectangular Plate	13 lbs	SHIPS PARCEL
CFBT170NGALPL2811FK1 CFBT170LPALPL2811FK1	with 28" x 11" Plate + FK1	16 lbs	SHIPS PARCEL

## TREE-STYLE CFBT230 – For 36" x 11" opening or larger



SKU (NG OR LP)	DESCRIPTION	SHIP WEIGHT	SHIP METHOD
CFBT230NG   CFBT230LP	230K BTU Tree-Style Brass Burner	10 lbs	SHIPS PARCEL
Recommended parts - Plate: ALPL3611 • FK1 • Optional 5x Support Collars			
CFBT230NGALPL3611 CFBT230LPALPL3611	with 36" x 11" Rectangular Plate	16 lbs	SHIPS PARCEL
CFBT230NGALPL3611FK1 CFBT230LPALPL3611FK1	with 36" x 11" Plate + FK1	19 lbs	SHIPS PARCEL

## TREE-STYLE CFBT290 – For 44" x 14" opening or larger



SKU (NG OR LP)	DESCRIPTION	SHIP WEIGHT	SHIP METHOD
CFBT290NG   CFBT290LP	290K BTU Tree-Style Brass Burner	12 lbs	SHIPS PARCEL
Recommended parts - Plate: ALPL4414 • FK2 • Optional 5x Support Collars			
CFBT290NGALPL4414 CFBT290LPALPL4414	with 44" x 14" Rectangular Plate	25 lbs	SHIPS PARCEL
CFBT290NGALPL4414FK2 CFBT290LPALPL4414FK2	with 44" x 14" Plate + FK2	32 lbs	SHIPS PARCEL

WE DIDN'T INVENT FIRE,  
WE **PERFECTED** IT.





## READY-TO-FINISH KITS

---

Aluminum frames covered with concrete board are ready to be easily and quickly finished with your choice of stone or veneer.

Simply place on site, connect to the gas supply, add stone or other veneer, and your fire feature is complete.

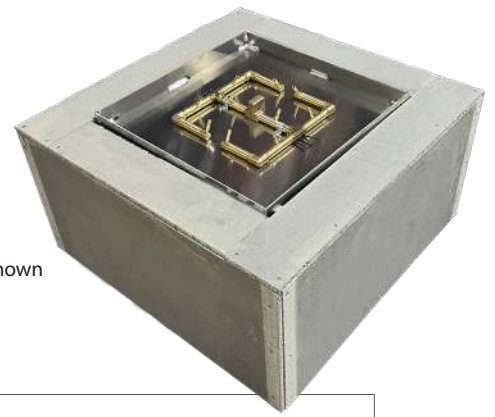
**Need a different size, custom shape, or have other questions?**

Whatever your question, our team is happy to help. Call our Flame Specialists at (303) 346-2224.

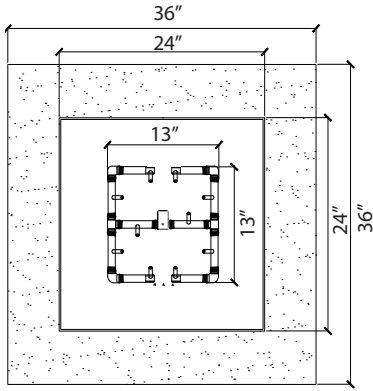
# SQUARE READY-TO-FINISH KITS

## TECH TIP

Ready-to-Finish Kits come with a Fire Pit Vent Kit (FPVK), but they do not come pre-installed as placement and installation depends on veneer. Vents are to be installed by contractor on site.



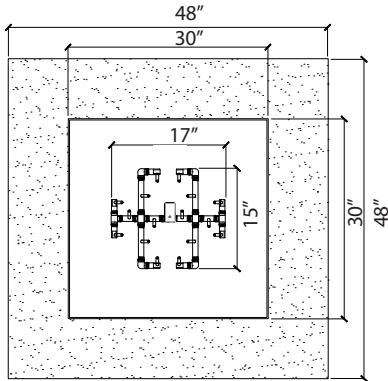
FS3636 shown



### FS3636NG | FS3636LP

36" x 36" W x 18" H Aluminum Frame with Concrete Board Attached  
 CFB120 Original Brass Burner + WATERSTOP  
 24" Aluminum Pan with 2" Sidewalls  
 Fire Pit Vent Kit  
 FK1  
 4" Key Valve Extension  
 Ignition Systems Sold Separately: Push Button, 3 Volt, Mercury, Platinum, 24 Volt Spark

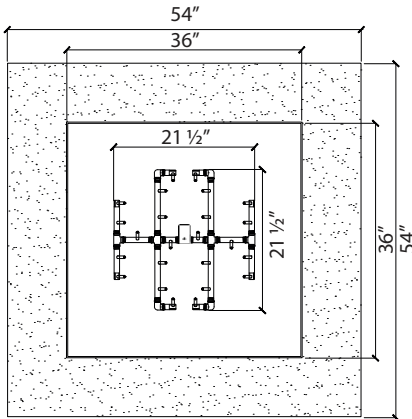
SHIPS FREIGHT



### FS4848NG | FS4848LP

48" x 48" W x 18" H Aluminum Frame with Concrete Board Attached  
 CFB180 Original Brass Burner + WATERSTOP  
 30" Aluminum Pan with 2" Sidewalls  
 Fire Pit Vent Kit  
 FK1  
 4" Key Valve Extension  
 Ignition Systems Sold Separately: Push Button, Mercury, Platinum, 24 Volt Spark

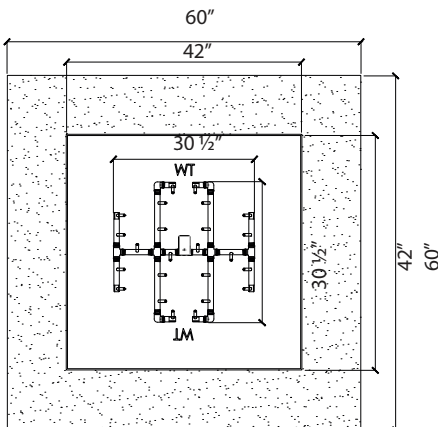
SHIPS FREIGHT



### FS5454NG | FS5454LP

54" x 54" W x 18" H Aluminum Frame with Concrete Board Attached  
 CFB290 Original Brass Burner + WATERSTOP  
 36" Aluminum Pan with 2" Sidewalls  
 Fire Pit Vent Kit  
 FK2  
 4" Key Valve Extension  
 Ignition Systems Sold Separately: Push Button, Mercury, Platinum, 24 Volt Spark

SHIPS FREIGHT



### FS6060NG | FS6060LP

60" x 60" W x 18" H Aluminum Frame with Concrete Board Attached  
 CFB290 Original Brass Burner  
 42" Aluminum Pan with 2" Sidewalls  
 Fire Pit Vent Kit  
 FK2  
 4" Key Valve Extension  
 Ignition Systems Sold Separately: Mercury, Platinum, 24 Volt Spark

SHIPS FREIGHT

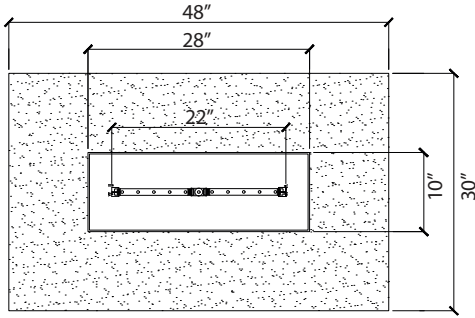
# RECTANGULAR LINEAR READY-TO-FINISH KITS

## TECH TIP

Ready-to-Finish Kits come with a Fire Pit Vent Kit (FPVK) but they do not come pre-installed as placement and installation depends on veneer. Vents are to be installed by contractor on site.



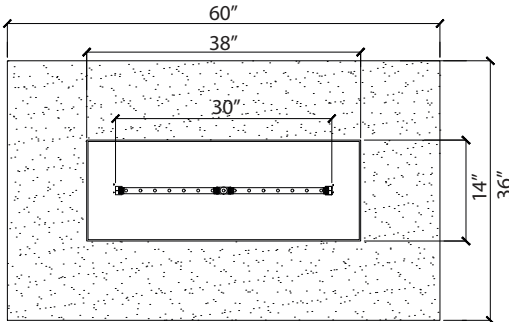
FR6036 shown



### FR4830NG | FR4830LP

48" L x 30" W x 18" H Aluminum Frame with Concrete Board Attached  
 CFBL110 22" Linear Brass Burner  
 28" x 10" Aluminum Pan with 2" Sidewalls  
 Fire Feature Vent Kit  
 FK1  
 4" Key Valve Extension  
 Ignition Systems Sold Separately: Push Button, 3 Volt, Mercury, Platinum, 24 Volt Spark

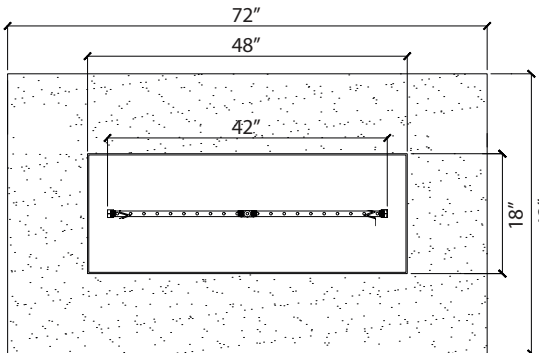
SHIPS FREIGHT



### FR6036NG | FR6036LP

60" L x 36" W x 18" H Aluminum Frame with Concrete Board Attached  
 CFBL150 30" Linear Brass Burner  
 38" x 14" Aluminum Pan with 2" Sidewalls  
 Fire Feature Vent Kit  
 FK1  
 4" Key Valve Extension  
 Ignition Systems Sold Separately: Push Button, Mercury, Platinum, 24 Volt Spark

SHIPS FREIGHT



### FR7242NG | FR7242LP

72" L x 42" W x 18" H Aluminum Frame with Concrete Board Attached  
 CFBL210 42" Linear Brass Burner  
 48" x 18" Aluminum Pan with 2" Sidewalls  
 Fire Pit Vent Kit  
 FK1  
 4" Key Valve Extension  
 Ignition Systems Sold Separately: Push Button, Mercury, Platinum, 24 Volt Spark

SHIPS FREIGHT

## FIRESTORM® STEEL LOG

Handcrafted, one-of-a-kind steel gas log features an integrated linear burner and is sized perfectly for the FR6036 Rectangular Ready-to-Finish Kit.

Custom designs and sizes available.

See page 41 for more information or call us at (303) 346-2224.

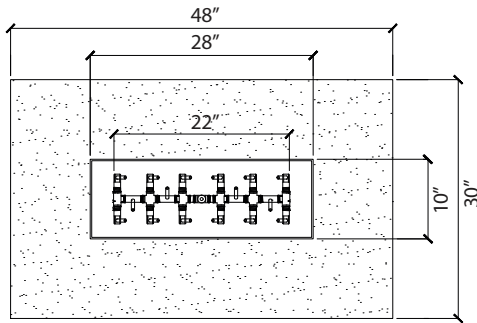
# RECTANGULAR TREE-STYLE READY-TO-FINISH KITS



FRT6036 shown

## TECH TIP

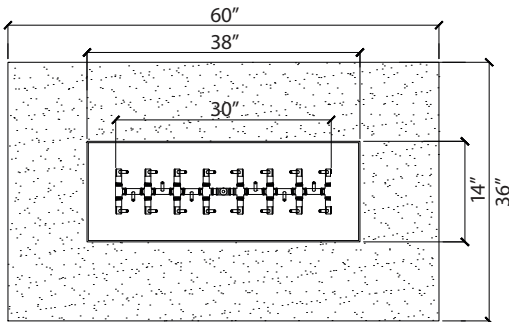
Ready-to-Finish Kits come with a Fire Pit Vent Kit (FPVK) but they do not come pre-installed as placement and installation depends on veneer. Vents are to be installed by contractor on site.



### FRT4830NG | FRT4830LP

48" L x 30" W x 18" H Aluminum Frame with Concrete Board Attached  
 CFBT170 Tree-Style Brass Burner  
 28" x 10" Aluminum Pan with 2" Sidewalls  
 Fire Feature Vent Kit  
 FK1  
 4" Key Valve Extension  
 Ignition Systems Sold Separately: Push Button, Mercury, Platinum, 24 Volt Spark

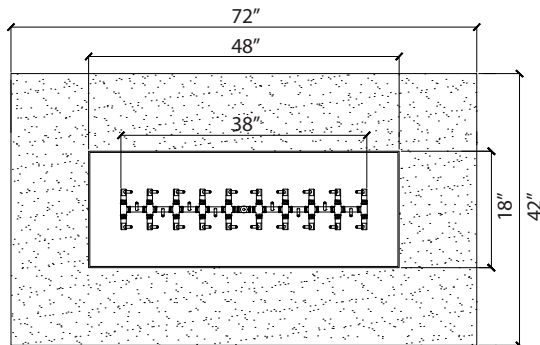
SHIPS FREIGHT



### FRT6036NG | FRT6036LP

60" L x 36" W x 18" H Aluminum Frame with Concrete Board Attached  
 CFBT230 Tree-Style Brass Burner  
 38" x 14" Aluminum Pan with 2" Sidewalls  
 Fire Pit Vent Kit  
 FK1  
 4" Key Valve Extension  
 Ignition Systems Sold Separately: Push Button, Mercury, Platinum, 24 Volt Spark

SHIPS FREIGHT



### FRT7242NG | FRT7242LP

72" L x 42" W x 18" H Aluminum Frame with Concrete Board Attached  
 CFBT290 Tree-Style Brass Burner  
 48" x 18" Aluminum Pan with 2" Sidewalls  
 Fire Pit Vent Kit  
 FK2  
 4" Key Valve Extension  
 Ignition Systems Sold Separately: Push Button, Mercury, Platinum, 24 Volt Spark

SHIPS FREIGHT



## CUSTOM READY-TO-FINISH KITS

A Custom Fire Feature to Match Your Custom Design.

Let us create the perfect custom feature for you.  
 We'd love to help. (303) 346-2224

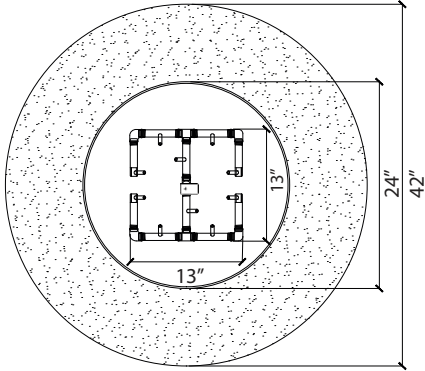
# CIRCULAR READY-TO-FINISH KITS

## TECH TIP

Ready-to-Finish Kits come with a Fire Pit Vent Kit (FPVK) but they do not come pre-installed as placement and installation depends on veneer. Vents are to be installed by contractor on site.



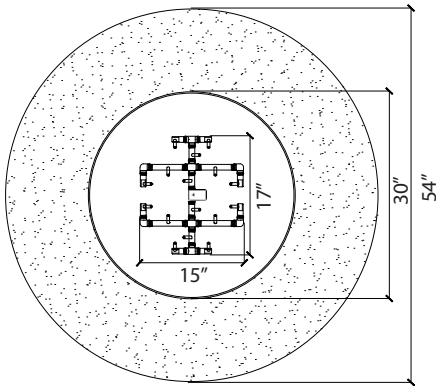
FC42 shown



### FC42NG | FC42LP

42" W x 18" H Aluminum Frame with Concrete Board Attached  
 CFB120 Original Brass Burner + WATERSTOP  
 24" Aluminum Pan with 2" Sidewalls  
 Fire Pit Vent Kit  
 FK1  
 4" Key Valve Extension  
 Ignition Systems Sold Separately: Push Button, 3 Volt, Mercury, Platinum, 24 Volt Spark

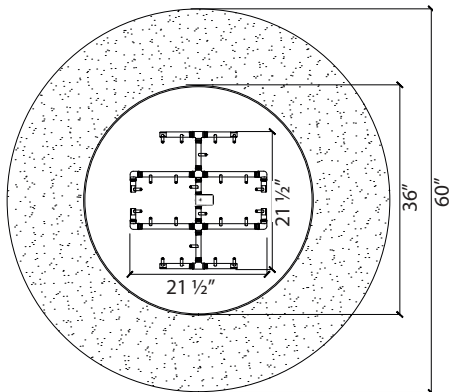
SHIPS FREIGHT



### FC54NG | FC54LP

54" W x 18" H Aluminum Frame with Concrete Board Attached  
 CFB180 Original Brass Burner + WATERSTOP  
 30" Aluminum Pan with 2" Sidewalls  
 Fire Pit Vent Kit  
 FK1  
 4" Key Valve Extension  
 Ignition Systems Sold Separately: Push Button, Mercury, Platinum, 24 Volt Spark

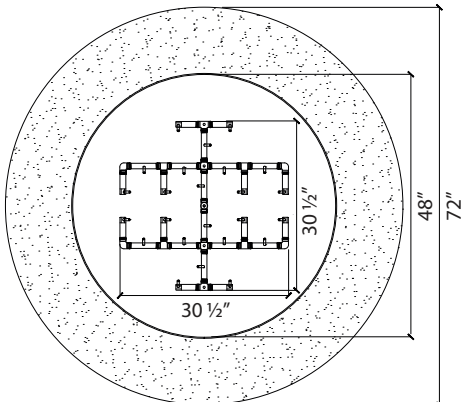
SHIPS FREIGHT



### FC60NG | FC60LP

60" W x 18" H Aluminum Frame with Concrete Board Attached  
 CFB290 Original Brass Burner + WATERSTOP  
 36" Aluminum Pan with 2" Sidewalls  
 Fire Pit Vent Kit  
 FK2  
 4" Key Valve Extension  
 Ignition Systems Sold Separately: Push Button, Mercury, Platinum, 24 Volt Spark

SHIPS FREIGHT



### FC72NG | FC72LP

72" W x 18" H Aluminum Frame with Concrete Board Attached  
 CFB350 Original Brass Burner  
 48" Aluminum Pan with 2" Sidewalls  
 Fire Pit Vent Kit  
 FK2  
 4" Key Valve Extension  
 Ignition Systems Sold Separately: Mercury, Platinum, 24 Volt Spark

SHIPS FREIGHT

# CREATE YOUR PERFECT NIGHT





# GAS INSERT KITS FOR PAVER FIRE FEATURES

---

Warming Trends makes it easy to install or convert a paver fire pit to gas with our Gas Insert Kits. Each Kit includes the CROSSFIRE® Brass Burner which utilizes cutting-edge jet technology to produce a taller, brighter, and more natural flame - all while consuming less gas.

Warming Trends Universal and Specialized Gas Insert Kits are designed to work with a variety of paver company block kits, including everything you need to convert your paver fire pit.

**Need a different size, custom shape, or have BTU questions?**

Whatever your question, our team is happy to help. Call our Flame Specialists at (303) 346-2224.

# GAS INSERT KITS

Easily and quickly convert your paver fire feature to gas with a Warming Trends Gas Insert Kit.

Included in each kit:

- CROSSFIRE® Brass Burner with WATERSTOP™ Fitting
- Aluminum Plate
- Flex Line Kit
- Key Valve Kit
- Flexible Metal Support Collars and Tapcon screws (Works with new or existing fire pit)

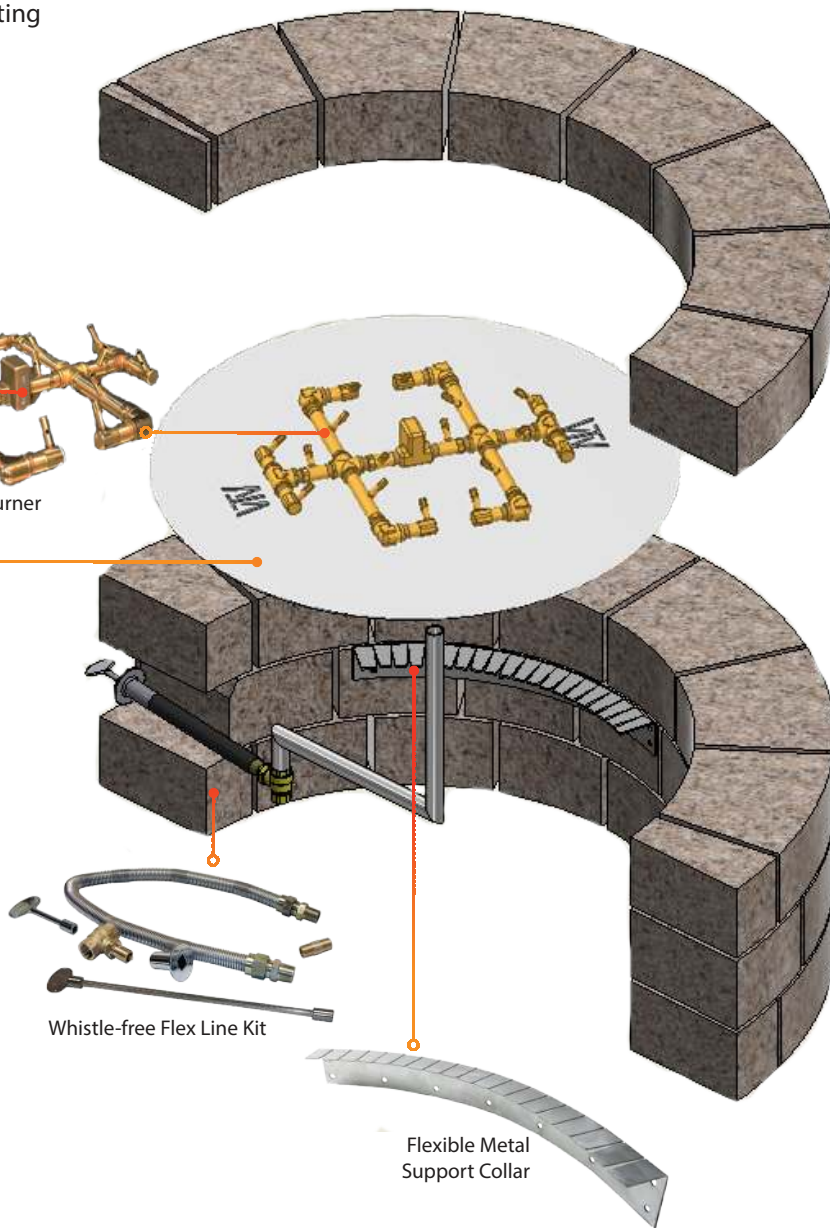
Select the Warming Trends Gas Insert Kit that matches the interior dimensions of your fire feature.

The Revolutionary WATERSTOP® fitting protects electronics and valves from water and debris.

CROSSFIRE® Brass Burner



Aluminum Plate



Whistle-free Flex Line Kit

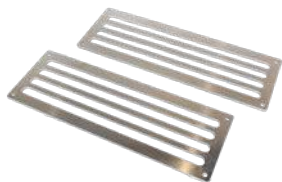
Flexible Metal Support Collar

**KIT DOES NOT INCLUDE VENTS.** (18 sq inches of ventilation is required on opposing sides of the fire feature.)

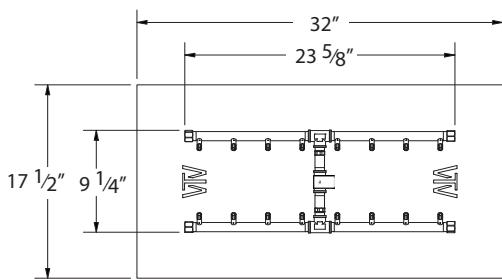
**KIT DOES NOT INCLUDE STONE/ENCLOSURE, MEDIA, OR COVER.**

Collars provide support for the aluminum plate and allow a range of plate sizes to be used, adding up to 3" to the plate size.

## FIRE PIT VENT KIT



FPVK	Fire Pit Vent Kit: (2) 3 7/8"x 12" Vents + 18 sq inches of Vent Area per Unit	2 lbs	SHIPS PARCEL
------	-------------------------------------------------------------------------------	-------	--------------

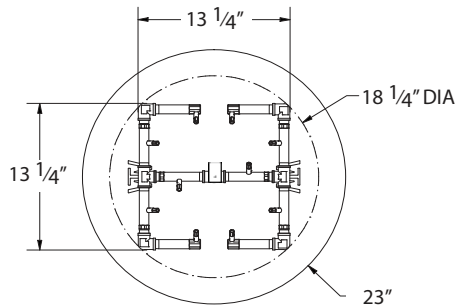


## 32" x 17 1/2" to 35" x 20 1/2" RECTANGULAR OPENING

### UPK160H3217NG | UPK160H3217LP

CFBH160 H-Style Brass Burner + WATERSTOP  
 32" x 17 1/2" Rectangular Aluminum Plate  
 FK1  
 8" Key Valve Extension  
 (5) Collars  
 Ignition Systems Sold Separately: Push Button, Mercury,  
 Platinum, 24 Volt Spark

18 lbs  
 SHIPS PARCEL

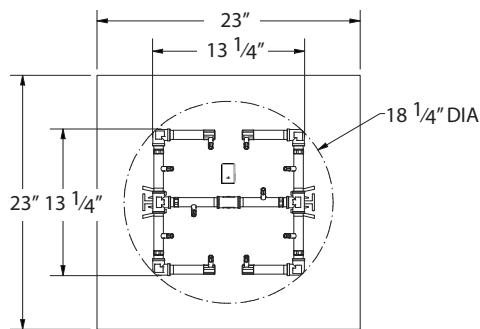


## 23" - 26" CIRCULAR OPENING

### UPK120C23NG | UPK120C23LP

CFB120 Original Brass Burner + WATERSTOP  
 23" Circular Aluminum Plate  
 FK1  
 8" Key Valve Extension  
 (4) Collars  
 Ignition Systems Sold Separately: Push Button, 3 Volt, Mercury,  
 Platinum, 24 Volt Spark

28 lbs  
 SHIPS PARCEL

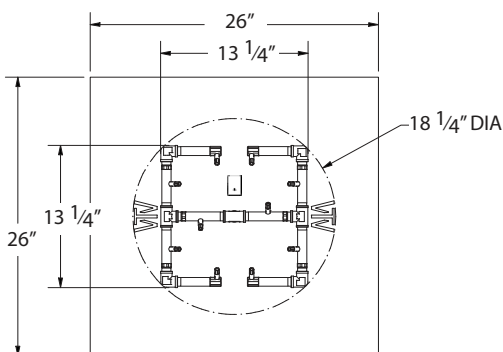


## 23" - 26" SQUARE OPENING

### UPK120S23NG | UPK120S23LP

CFB120 Original Brass Burner + WATERSTOP  
 23" Square Aluminum Plate  
 FK1  
 8" Key Valve Extension  
 (4) Collars  
 Ignition Systems Sold Separately: Push Button, 3 Volt, Mercury,  
 Platinum, 24 Volt Spark

30 lbs  
 SHIPS PARCEL

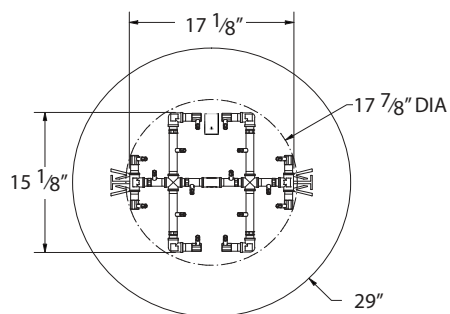


## 26" - 29" CIRCULAR OR SQUARE OPENING

### UPK120S26NG | UPK120S26LP

CFB120 Original Brass Burner + WATERSTOP  
 26" Square Aluminum Plate  
 FK1  
 8" Key Valve Extension  
 (4) Collars  
 Ignition Systems Sold Separately: Push Button, 3 Volt, Mercury,  
 Platinum, 24 Volt Spark

32 lbs  
 SHIPS PARCEL

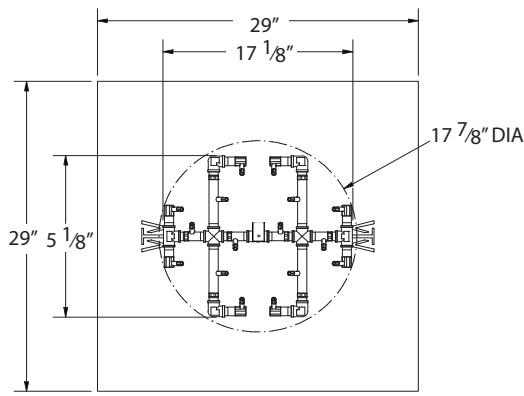


## 29" - 32" CIRCULAR OPENING

### UPK180C29NG | UPK180C29LP

CFB180 Original Brass Burner + WATERSTOP  
 29" Circular Aluminum Plate  
 FK1  
 8" Key Valve Extension  
 (5) Collars  
 Ignition Systems Sold Separately: Push Button, Mercury,  
 Platinum, 24 Volt Spark

33 lbs  
 SHIPS PARCEL

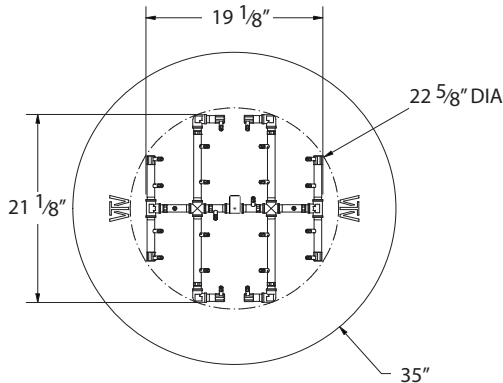


## 29" - 32" SQUARE OPENING

### UPK180S29NG | UPK180S29LP

CFB180 Original Brass Burner + WATERSTOP  
 29" Square Aluminum Plate  
 FK1  
 8" Key Valve Extension  
 (5) Collars  
 Ignition Systems Sold Separately: Push Button, Mercury,  
 Platinum, 24 Volt Spark

34 lbs  
 SHIPS PARCEL

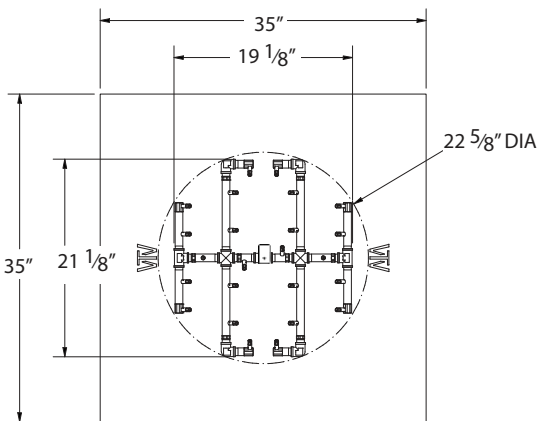


## 35" - 38" CIRCULAR OPENING

### UPK240C35NG | UPK240C35LP

CFB240 Original Brass Burner + WATERSTOP  
 35" Circular Aluminum Plate  
 FK1  
 8" Key Valve Extension  
 (6) Collars  
 Ignition Systems Sold Separately: Push Button, Mercury,  
 Platinum, 24 Volt Spark

41 lbs  
 SHIPS PARCEL

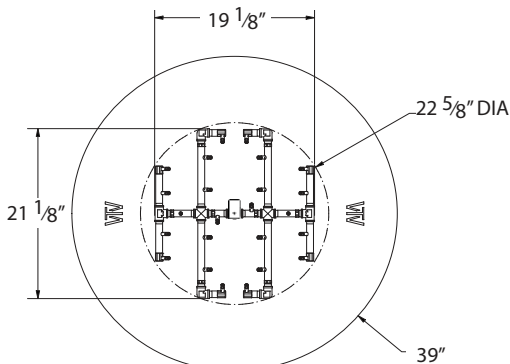


## 35" - 38" SQUARE OPENING

### UPK240S35NG | UPK240S35LP

CFB240 Original Brass Burner + WATERSTOP  
 35" Square Aluminum Plate  
 FK1  
 Key Valve Extension  
 (6) Collars  
 Ignition Systems Sold Separately: Push Button, Mercury,  
 Platinum, 24 Volt Spark

47 lbs  
 SHIPS PARCEL

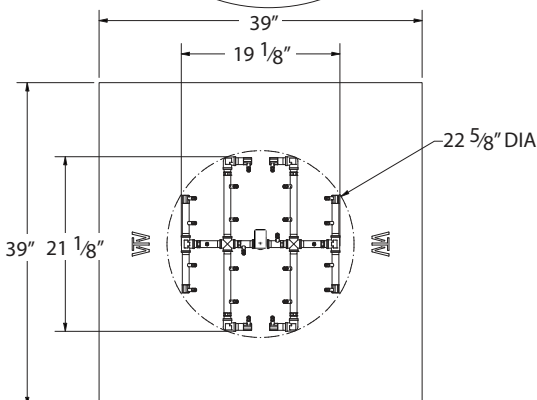


## 39" - 42" CIRCULAR OPENING

### UPK240C39NG | UPK240C39LP

CFB240 Original Brass Burner + WATERSTOP  
 39" Circular Aluminum Plate  
 FK1  
 8" Key Valve Extension  
 (7) Collars  
 Ignition Systems Sold Separately: Push Button, Mercury,  
 Platinum, 24 Volt Spark

SHIPS FREIGHT



## 39" - 42" SQUARE OPENING

### UPK240S39NG | UPK240S39LP

CFB240 Original Brass Burner + WATERSTOP  
 39" Square Aluminum Plate  
 FK1  
 8" Key Valve Extension  
 (7) Collars  
 Ignition Systems Sold Separately: Push Button, Mercury,  
 Platinum, 24 Volt Spark

SHIPS FREIGHT

# GAS INSERT KITS FOR SPECIALIZED PAVER FIRE PITS

NEW PRODUCT!



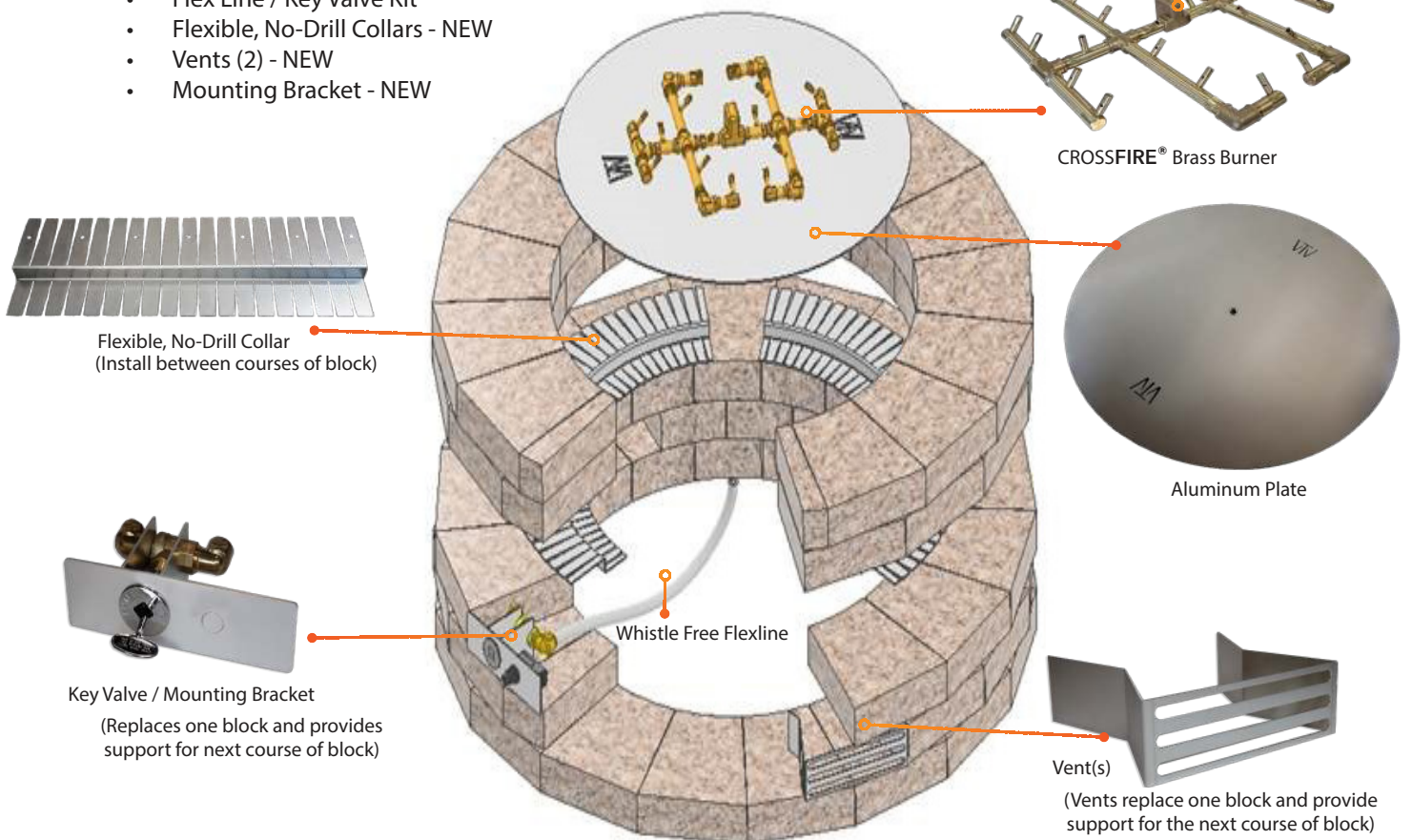
See page 34 for available ignition options.

The All-New Specialized Gas Insert Kits fit top-selling paver fire pit brands and are easier to install than ever before! The Mounting Brackets and Collars have been re-engineered to eliminate the need for a drill to install. Each kit includes all components needed to create an exceptional fire feature including the patented CROSSFIRE™ burner, aluminum plate, no-drill collars, specifically-sized vents, mounting bracket which replaces a block while still offering support to the blocks above, and a Flex Line/Key Valve Kit.

Included in each kit:

- CROSSFIRE® Brass Burner with WATERSTOP™ Fitting
- Aluminum Plate
- Flex Line / Key Valve Kit
- Flexible, No-Drill Collars - NEW
- Vents (2) - NEW
- Mounting Bracket - NEW

The patent-pending WATERSTOP™ fitting provides unmatched protection for electronics and valves from water and debris.



## WESTON PAVER KIT

---

UPKBWLP	CFB240LP Original Brass Burner + WATERSTOP™, 39" Circular Aluminum Plate, ¾" Flex Line / Key Valve Kit, 11 ⅜"x 4" BW Mounting Bracket, (6) Flexible, No Drill Collars, (2) 11 ⅜" x 4" Vents Ignition Systems Sold Separately: Push Button, Mercury, Platinum, 24 Volt Spark	110 lbs	SHIPS FREIGHT
UPKBWNG	CFB240NG Original Brass Burner + WATERSTOP, 39" Circular Aluminum Plate, ¾" Flex Line / Key Valve Kit, 11 ⅜"x 4" BW Mounting Bracket, (6) Flexible, No Drill Collars, (2) 11 ⅜" x 4" Vents Ignition Systems Sold Separately: Push Button, Mercury, Platinum, 24 Volt Spark	110 lbs	SHIPS FREIGHT

## VALENCIA PAVER KIT

---

UPKVLLP	CFB180LP Original Brass Burner + WATERSTOP, 29" Circular Aluminum Plate, ¾" Flex Line / Key Valve Kit, VL Mounting Bracket, (5) Flexible, No Drill Collars, (2) 9 ¼" x 3" Vents Ignition Systems Sold Separately: Push Button, Mercury, Platinum, 24 Volt Spark	38 lbs	SHIPS PARCEL
UPKVLNG	CFB180NG Original Brass Burner + WATERSTOP, 29" Circular Aluminum Plate, ¾" Flex Line Kit, VL Mounting Bracket, (5) Flexible, No Drill Collars, (2) 9 ¼" x 3" Vents Ignition Systems Sold Separately: Push Button, Mercury, Platinum, 24 Volt Spark	38 lbs	SHIPS PARCEL

## BRANDON PAVER KIT

---

UPKBSLP	CFB180LP Original Brass Burner + WATERSTOP, 27 ¼" Square Aluminum Plate, ¾" Flex Line / Key Valve Kit, 14" x 3 ½" Mounting Bracket, (6) Flexible, No Drill Collars, (2) 14" x 3 ½" Vents Ignition Systems Sold Separately: Push Button, Mercury, Platinum, 24 Volt Spark	30 lbs	SHIPS PARCEL
UPKBSNG	CFB180NG Original Brass Burner + WATERSTOP, 27 ¼" Square Aluminum Plate, ¾" Flex Line / Key Valve Kit, 14" x 3 ½" Mounting Bracket, (6) Flexible, No Drill Collars, (2) 14" x 3 ½" Vents Ignition Systems Sold Separately: Push Button, Mercury, Platinum, 24 Volt Spark	30 lbs	SHIPS PARCEL

## RAFFINATO PAVER KIT

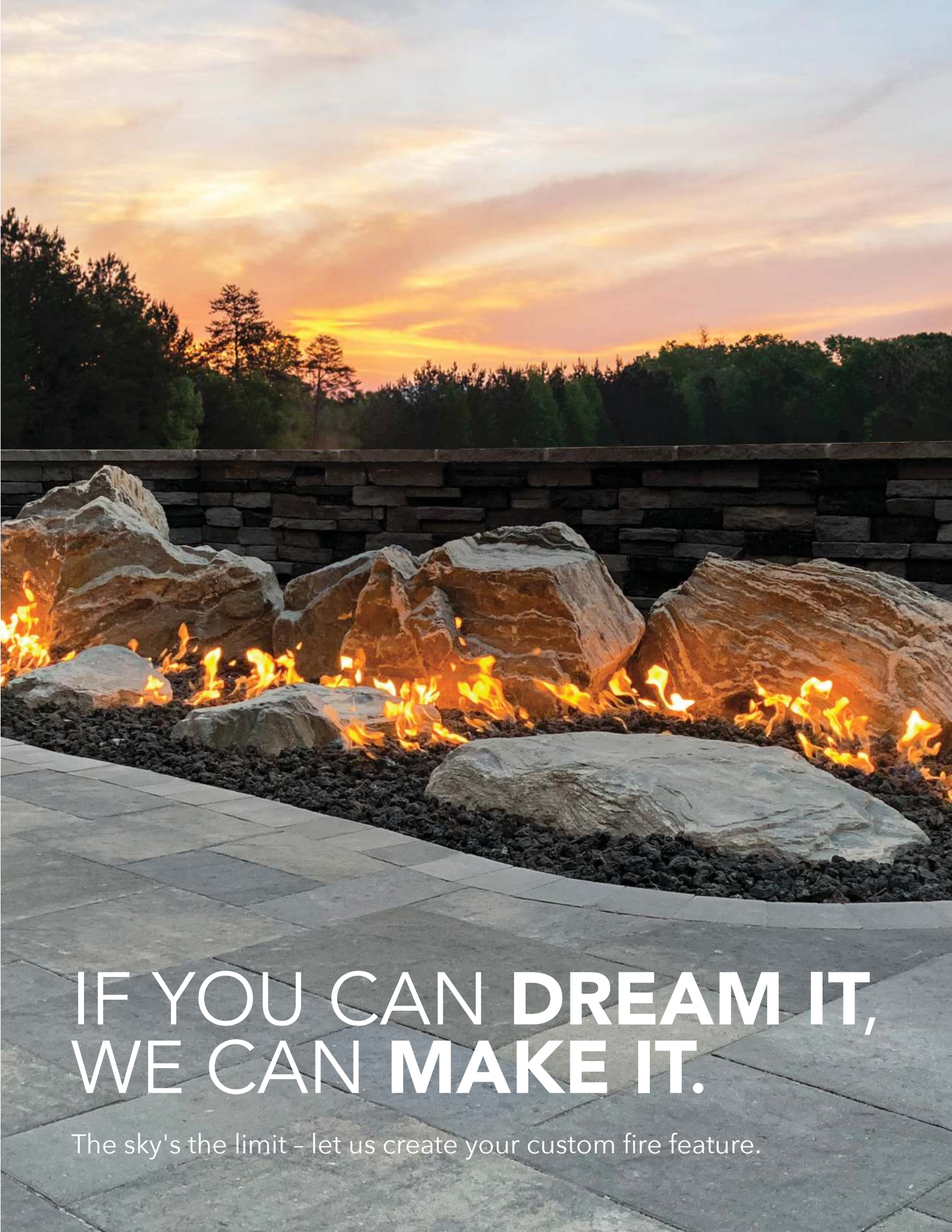
---

UPKRRLP	CFBH160LP H-Style Brass Burner + WATERSTOP, 32" x 17 ¾" Rectangular Aluminum Plate, ¾" Flex Line / Key Valve Kit, 14" x 3 ½" Mounting Bracket, (5) Flexible, No Drill Collars, (2) 14" x 3 ½" Vents Ignition Systems Sold Separately: Push Button, Mercury, Platinum, 24 Volt Spark	30 lbs	SHIPS PARCEL
UPKR RNG	CFBH160NG H-Style Brass Burner + WATERSTOP, 32" x 17 ¾" Rectangular Aluminum Plate, ¾" Flex Line / Key Valve Kit, 14" x 3 ½" Mounting Bracket, (5) Flexible, No Drill Collars, (2) 14" x 3 ½" Vents Ignition Systems Sold Separately: Push Button, Mercury, Platinum, 24 Volt Spark	30 lbs	SHIPS PARCEL

## PRESCOTT PAVER KIT

---

UPKPSLP	CFB180LP Original Brass Burner + WATERSTOP, 27 ¼" Square Aluminum Plate, ¾" Flex Line / Key Valve Kit, 9" x 4 ½" Mounting Bracket, (6) Flexible, No Drill Collars, (2) 9" x 4 ½" Vents Ignition Systems Sold Separately: Push Button, Mercury, Platinum, 24 Volt Spark	38 lbs	SHIPS PARCEL
UPKPSNG	CFB180LP Original Brass Burner + WATERSTOP, 27 ¼" Square Aluminum Plate, ¾" Flex Line / Key Valve Kit, 9" x 4 ½" Mounting Bracket, (6) Flexible, No Drill Collars, (2) 9" x 4 ½" Vents Ignition Systems Sold Separately: Push Button, Mercury, Platinum, 24 Volt Spark	38 lbs	SHIPS PARCEL



**IF YOU CAN DREAM IT,  
WE CAN MAKE IT.**

The sky's the limit - let us create your custom fire feature.



# IGNITIONS AND ELECTRONIC ACCESSORIES

---

Light your fire feature with the simplicity of a match or choose a fully automatic ignition system.

Call a Warming Trends Flame Specialist  
to discuss the best ignition system for your CROSSFIRE® Brass Burner.

# IGNITION SYSTEMS



## MATCH LIT

All CROSSFIRE® Brass Burners come standard as a manual Match Lit System. Light a match and turn the key valve to ignite your fire feature burner.



## PUSH BUTTON IGNITION

Upgrade to an electric Push Button Ignition. Turn the key valve to on position and push the button to ignite your burner.

SKU	DESCRIPTION	SHIP WEIGHT + METHOD	
PBIK3.0	Push Button Ignition Kit: Spark Igniter Rod and Wire + Push Button Battery Operated Control Module	3 lbs	SHIPS PARCEL
PBIK3.0MBR	Push Button Ignition Kit + Mounting Bracket + (2) 3/4" Street Elbows	5 lbs	SHIPS PARCEL
PBIK3.0MBRFK1	Push Button Ignition Kit + Mounting Bracket + FK1 + 3" and 12" Key + (2) Pre-mounted 3/4" Street Elbows	9 lbs	SHIPS PARCEL
PBIK3.0MBRFK2	Push Button Ignition Kit + Mounting Bracket + FK2 + 3" and 12" Key + (2) Pre-mounted 3/4" Street Elbows	11 lbs	SHIPS PARCEL



PBIK3.0MBR



## MERCURY IGNITION SYSTEM

NEW PRODUCT!

The Mercury Ignition provides a layer of safety in the event a burner's flame is unexpectedly extinguished. This innovative new design provides a quick, automatic shutoff of gas flow and an easy reset to reignite the flame when ready to address building and safety code requirements, as well as personal safety preferences.

SKU	DESCRIPTION	SHIP WEIGHT + METHOD	
MERCLP	Mercury Ignition Spark Ignitor with Internal Safety Shutoff + 3 ft Pilot for use with any Burner up to 240k BTU + FIT180 + Liquid Propane	7lb	SHIPS PARCEL
MERCNG	Mercury Ignition Spark Ignitor with Internal Safety Shutoff + 3 ft Pilot for use with any Burner up to 240k BTU + FIT180 + Natural Gas	7lb	SHIPS PARCEL

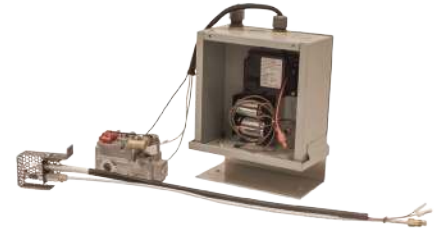


MERCURY IGNITION



## 3 VOLT IGNITION

A battery-operated ignition system with on and off switch.  
3 Volt Ignition supplies up to 120K BTUs.  
Remote control available.



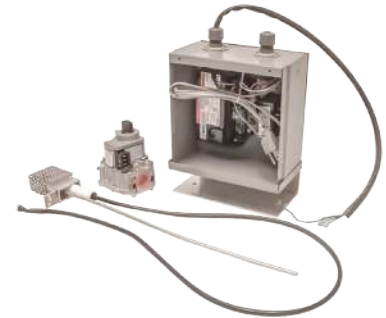
3VIK

SKU	DESCRIPTION	SHIP WEIGHT + METHOD	
3VIK-NG 3VIK-LP	3 Volt Electronic Ignition System: Spark Igniter + Control Module + D-Cell Battery Pack + 3 Volt Gas Valve + up to 120K BTU + Ignition Switch	14 lbs	SHIPS PARCEL



## 24 VOLT SPARK IGNITION

24 Volt Spark Ignition supplies up to 400K BTUs.  
Includes step down transformer for use with 24 Volt/110 Volt supply.  
Remote control options available.



24VIKHC

SKU	DESCRIPTION	SHIP WEIGHT + METHOD	
24VIKHC-NG 24VIKHC-LP	24 Volt Spark Ignition System: Spark Igniter + Control Module + 24 Volt Transformer + up to 400K BTU	17 lbs	SHIPS PARCEL



## PLATINUM AUTOMATIC IGNITION

NEW PRODUCT!

The Platinum Automatic Ignition System delivers superior quality, performance, and value to our partners and their customers. Expertly engineered, this innovative ignition has been designed and built to eliminate industry-wide weaknesses in outdoor fire feature ignitions. The Platinum Ignition System includes the Valve Box, Transformer, and Pilot Assembly.

SKU	DESCRIPTION	SHIP WEIGHT + METHOD	
103063	Platinum 24 Volt Electronic Ignition System - Valve Box Hot Surface Igniter + 24V Transformer for <b>1/2" Manifolds</b> . Maximum Gas Output 680,000 BTU/h - Natural Gas	14 lbs	SHIPS PARCEL
103064	Platinum 24 Volt Electronic Ignition System - Valve Box Hot Surface Igniter + 24V Transformer for <b>1/2" Manifolds</b> . Maximum Gas Output 680,000 BTU/h - Liquid Propane	14 lbs	SHIPS PARCEL
103065	Platinum 24 Volt Electronic Ignition System - Valve Box Hot Surface Igniter + 24V Transformer for <b>3/4" Manifolds</b> . Maximum Gas Output 680,000 BTU/h - Natural Gas	14 lbs	SHIPS PARCEL
103066	Platinum 24 Volt Electronic Ignition System - Valve Box Hot Surface Igniter + 24V Transformer for <b>3/4" Manifolds</b> . Maximum Gas Output 680,000 BTU/h - Liquid Propane	14 lbs	SHIPS PARCEL



# ELECTRONIC ACCESSORIES

Want to turn your fire feature on remotely? We've got you covered. We offer electronic accessories that keep your fire feature safe and easy to use.



## 3 VOLT REMOTE

SKU	DESCRIPTION	SHIP WEIGHT + METHOD	
3VRC	ON/OFF Remote Control for 3 Volt Ignition System. Only compatible with 3V Ignition.	3 lbs	SHIPS PARCEL



## 24 VOLT KEY CHAIN REMOTE

SKU	DESCRIPTION	SHIP WEIGHT + METHOD	
KCRC	ON/OFF Wireless Key Chain Remote Control & Plug In Receiver for 24 Volt Ignition System.	4 lbs	SHIPS PARCEL

## DIAL TIMERS

Available in 1 hour, 2 hour, and 12 hour options for automatic shut off with NEMA Rated outdoor enclosure.



SKU	DESCRIPTION	SHIP WEIGHT + METHOD	
DT2HRNB	2 Hour Dial Timer with NEMA Rated Enclosure.	5 lbs	SHIPS PARCEL
DT12HRNB	12 Hour Dial Timer with NEMA Rated Enclosure.	5 lbs	SHIPS PARCEL
DTE51HR	1 Hour Dial Timer with Manual Emergency Shut-off for use on Gas Line. Up to 170K BTU's NG/LP.	4 lbs	SHIPS PARCEL

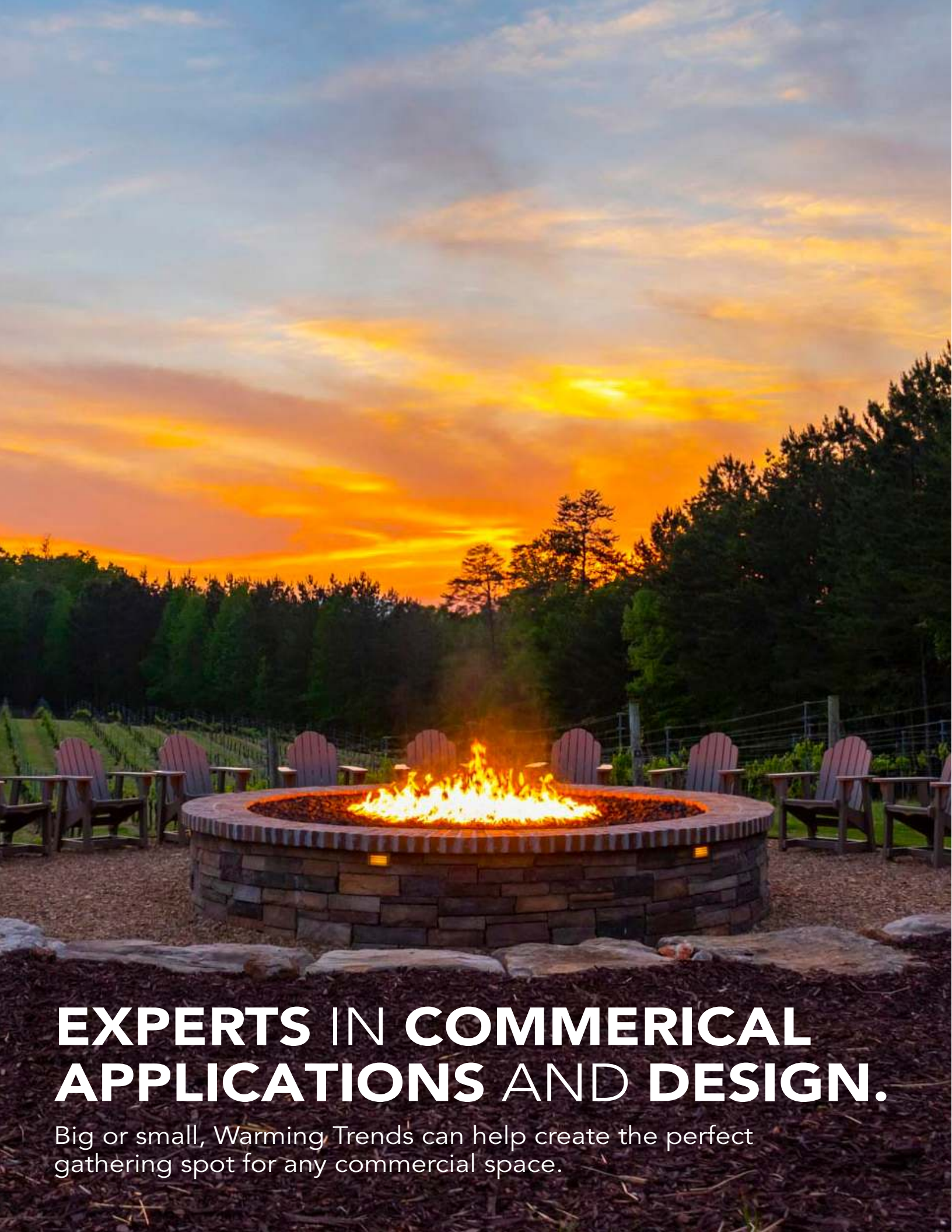
## EMERGENCY STOP



SKU	DESCRIPTION	SHIP WEIGHT + METHOD	
EMERSTOP	Push Button Emergency Stop with yellow shell and weatherproof lift cover. Recommended for commercial properties.	5 lbs	SHIPS PARCEL
DTE51HR	1 Hour Dial Timer with Manual Emergency Shut-off for use on Gas Line. Up to 170K BTU's NG/LP.	3 lbs	SHIPS PARCEL

### TECH TIP

Typically commercial projects require an Emergency Stop and electronic ignition. Consult your local code.



# EXPERTS IN COMMERCIAL APPLICATIONS AND DESIGN.

Big or small, Warming Trends can help create the perfect gathering spot for any commercial space.



## PARTS, LOGS, AND MEDIA

---

Select the right accents to complement your feature's surroundings. Complete the feature with a cover made to fit.

# PARTS, LOGS, AND MEDIA

---

Select the right accents to complement your feature's surroundings.

## CERAMIC LOG SETS

---



## WESTERN OAK LOG SETS

Additional sizes available upon request.

SKU	DESCRIPTION	SHIP WEIGHT + METHOD	
WOS	Western Oak Log Set for 24"-30" Fire Feature (8 Pieces)	38 lbs	SHIPS PARCEL
WOM	Western Oak Log Set for 36"-42" Fire Feature (12 Pieces)	72 lbs	SHIPS PARCEL
WOL	Western Oak Log Set for 48" Fire Feature (15 Pieces)	105 lbs	SHIPS PARCEL



## MOUNTAIN SPLIT LOG SETS

Additional sizes available upon request.

SKU	DESCRIPTION	SHIP WEIGHT + METHOD	
MSS	Mountain Split Log Set for 24"-30" Fire Feature (8 Pieces)	40 lbs	SHIPS PARCEL
MSM	Mountain Split Log Set for 36"-42" Fire Feature (12 Pieces)	72 lbs	SHIPS PARCEL
MSL	Mountain Split Log Set for 48" Fire Feature (15 Pieces)	97 lbs	SHIPS PARCEL



## STEEL LOG SETS

Available for 18", 24", 30", and 36" Fire Features

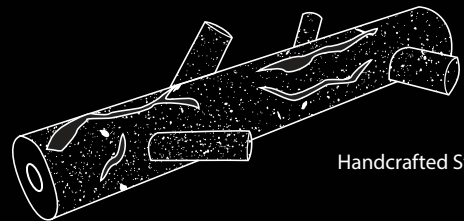
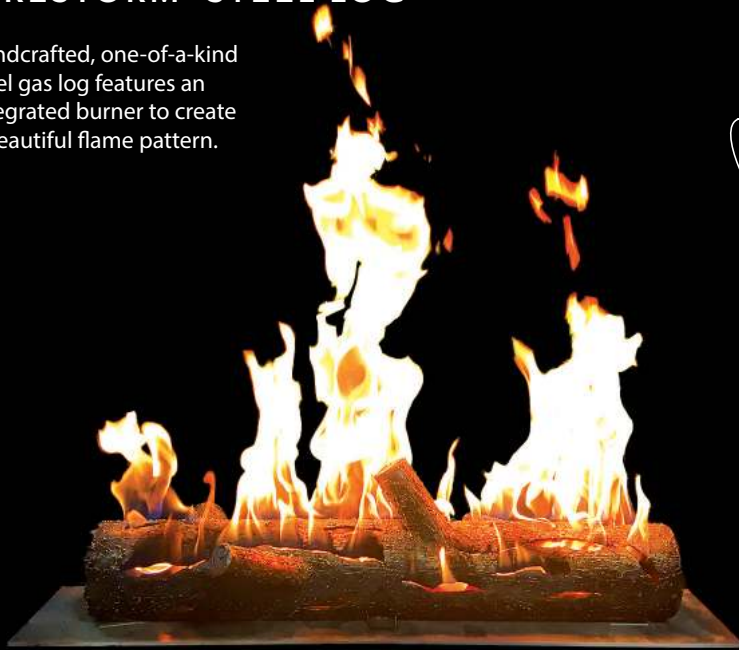
SKU	DESCRIPTION	SHIP METHOD
SLS18	Handcrafted to fit 18" Fire Feature	SHIPS FREIGHT
SLS24	Handcrafted to fit 24" Fire Feature	SHIPS FREIGHT
SLS30	Handcrafted to fit 30" Fire Feature	SHIPS FREIGHT
SLS36	Handcrafted to fit 36" Fire Feature	SHIPS FREIGHT
SLSCUST	Custom Handcrafted Steel Log Set	SHIPS FREIGHT

### TECH TIP

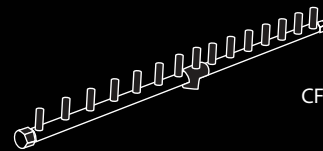
Custom Steel and FireStorm® Log Sets are available. Give us a call at (303) 346-2224.

## FIRESTORM® STEEL LOG

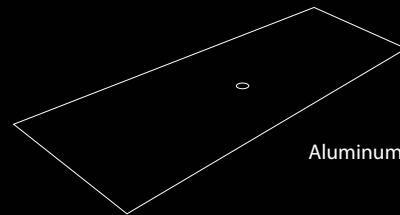
Handcrafted, one-of-a-kind steel gas log features an integrated burner to create a beautiful flame pattern.



Handcrafted Steel Log



CFBL150



Aluminum Plate

SKU	DESCRIPTION	SHIP WEIGHT + METHOD	
FSLS32LP	32" Steel log with integrated CFBL150 CROSSFIRE® Brass Burner on a 38" x 10" aluminum plate for Liquid Propane	32 lbs	SHIPS PARCEL
FSLS32NG	32" Steel log with integrated CFBL150 CROSSFIRE® Brass Burner on a 38" x 10" aluminum plate for Natural Gas	32 lbs	SHIPS PARCEL

Additional sizes ranging from 20" – 48" available – **CALL FOR QUOTE**

# MEDIA

## LAVA ROCK



**BLR**

1" - 1 1/2" Black Lava Rock,  
1 bag per 1 cubic foot  
45 lb bag



**LRR**

1" - 2" Gray/Black Rolled Lava,  
1 bag per 1 cubic foot  
50 lb bag

## FIRE GLASS

3/4"-1/2" Fire Glass. Colors may vary from photo.



**AMBER**



**BLACK**



**RED**



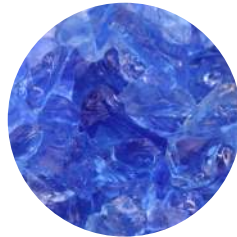
**PURPLE**



**GRAY**



**DARK BLUE**



**LIGHT BLUE**



**GREEN**



**AQUA**

## LAVA ROCK + ROLLED LAVA GUIDE

- 24" PLATE = 1 BAG
- 30" PLATE = 2 BAGS
- 36" PLATE = 3 BAGS
- 42" PLATE = 4 BAGS
- 48" PLATE = 4-5 BAGS
- 60" PLATE = 7-8 BAGS
- 1 BAG = 1 CUBIC FOOT



Additional Options  
Available Upon Request



**CLEAR**

Scan the QR Code to easily calculate how  
much lava rock or fire glass will be needed  
with the Fire Glass Calculator.



# WARRANTY

## FULL LIFETIME WARRANTY FOR CROSSFIRE® BURNERS

Warming Trends warrants that each Warming Trends® Crossfire® and other jetted-flame-brass burners sold through Warming Trends' distribution network (each as "Burner") is free from defects in materials and workmanship and conforms to its specifications, which are available upon request. We offer a lifetime, full warranty for our Burners, regardless of ownership, beginning on the date of purchase ("Warranty Period"). This warranty is transferable, but we reserve the right to require proof of ownership for any transferred burners including proof that the Burner was not acquired through improper means or unauthorized re-sellers. During the Warranty Period, Warming Trends provides repair and exchange services for the Burners, without charge. If a Burner does not function as warranted during the Warranty Period and, after a reasonable number of attempts, Warming Trends is unable to either 1) make it do so or 2) replace it with one that is at least functionally equivalent, you may return it to Warming Trends and your money will be refunded. The warranty stated above will not apply to the extent that there has been misuse or use contrary to specifications or the appropriate user or operating manual, installation defect, accident, modification, unsuitable physical or operating environment, operation in other than the specified operating environment (e.g., outdoor burners should only be used outdoors) improper maintenance by you, or failure caused by a product for which Warming Trends is not responsible. With respect to Burners, the warranty is voided by removal or alteration of any identification labels or marks on any Burner or part.

## ITEMS NOT COVERED BY FULL WARRANTY FOR BURNERS

**OTHER THAN AS EXPRESSLY STATED ABOVE, WARMING TRENDS DOES NOT WARRANT UNINTERRUPTED OR ERROR-FREE OPERATION OF ANY BURNER, OR THAT WARMING TRENDS WILL CORRECT ALL DEFECTS.**

This warranty is specific to Burners and does not apply to any other product sold by Warming Trends, which may be covered by separate warranties with different terms. Warming Trends does not warrant any services related to our Burners, including installation, unless we provided those services to you. You may have warranty rights from the service provider, but we make no representations or warranties express or implied regarding any third-party service provider and our warranties do not apply to failures caused by their work.

## IGNITION SYSTEMS WARRANTIES

### Residential Installations

Platinum Ignition Systems are warranted for three (3) years from date of purchase, when installed on a Warming Trends plate or pan and with listed Crossfire® burners as set forth as Certified with Platinum Ignition Systems in the Platinum Ignition System Instruction Manual or as otherwise approved by Warming Trends, in writing, prior to sale. In the event a Platinum Ignition System must be replaced due to a defect or malfunction of the system, Warming Trends® will repair or replace the system at no cost for the first three (3) years. This warranty does not cover labor costs and will be automatically voided if the ignition system is installed or used with a non-specified burner, accessories or recommended plate or pan, and cover.

24VIK and 3VIK systems are warranted for one (1) year from the date of purchase and, thereafter, are covered by a limited warranty for two (2) years from date of purchase. In the event a 24VIK or 3VIK system must be replaced due to a defect or malfunction of the system, Warming Trends® will repair or replace the system at no cost for the first year. In the event a 24VIK or 3VIK system fails after the first year from date of purchase and within two years from date of purchase, Warming Trends will repair or replace the system for a cost of 50% of the current list price. This warranty does not cover labor costs. P24VIK Systems are warranted for three (3) years from date of purchase. In the event a system must be replaced due to a defect or malfunction of the system, Warming Trends will repair or replace the system at no cost for the first three (3) years. This warranty does not cover labor costs.

Mercury Ignition systems are warranted for three (3) years from date of purchase, when installed on a Warming Trends plate or pan and with listed Crossfire® burners as set forth as Certified with Mercury Ignitions in the Mercury Ignition Instruction Manual or as otherwise approved by Warming Trends, in writing, prior to sale. In the event a Mercury Ignition system must be replaced due to a defect or malfunction of the system, Warming Trends will repair or replace the system at no cost for the first three years. This warranty does not cover labor costs and will be automatically voided if the ignition system is installed or used with a non-specified burner, accessories or recommended plate or pan, and cover. Push Button Ignition Systems pre-installed by Warming Trends on AON fire tables (defined below) are warranted for one (1) year from date of purchase. In the event a Push Button Ignition System must be replaced due to a defect or malfunction of the system, Warming Trends will repair or replace the system at no cost for the first year. This warranty does not cover labor costs and will be automatically voided if the ignition system is installed or used with a non-specified burner, accessories or recommended plate or pan, and cover. Warming Trends does not offer any warranty for Push Button Ignition Systems not pre-installed on AONs.

### Commercial Installations

Platinum Ignition Systems are warranted for one (1) year from date of purchase, when installed on a Warming Trends plate or pan and with listed Crossfire® burners as set forth as Certified with Platinum Ignition Systems in the Platinum Ignition System Instruction Manual or as otherwise approved by Warming Trends, in writing, prior to sale. In the event a Platinum Ignition System must be replaced due to a defect or malfunction of the system, Warming Trends will repair or replace the system at no cost for the first year. This warranty does not cover labor costs and will be automatically voided if the ignition system is installed or used with a non-specified burner, accessories or recommended plate or pan, and cover.

24VIK, 3VIK, and P24VIK systems are warranted for one (1) year from date of purchase. In the event a 24VIK, 3VIK, or P24VIK system must be replaced due to a defect or malfunction of the system, Warming Trends will repair or replace the system at no cost for the first year. This warranty does not cover labor costs. Ignition systems are warranted for one (1) year from date of purchase, when installed on a Warming Trends plate or pan and with listed Crossfire® burners as set forth as Certified with Mercury Ignitions in the Mercury Ignition Instruction Manual or as otherwise approved by Warming Trends, in writing, prior to sale. In the event a Mercury Ignition system must be replaced due to a defect or malfunction of the system, Warming Trends will repair or replace the system at no cost for the first year. This warranty does not cover labor costs and will be automatically voided if the ignition system is installed or used with a non-specified burner, accessories or recommended plate or pan, and cover.

Push Button Ignition Systems pre-installed by Warming Trends on AON fire tables (defined below) are warranted for one (1) year from date of purchase. In the event a Push Button Ignition System must be replaced due to a defect or malfunction of the system, Warming Trends will repair or replace the system at no cost for the first year. This warranty does not cover labor costs and will be automatically voided if the ignition system is installed or used with a non-specified burner, accessories or recommended plate or pan, and cover. Warming Trends does not offer any warranty for Push Button Ignition Systems not pre-installed on AONs.

## ITEMS NOT COVERED BY WARRANTIES FOR IGNITION SYSTEMS

Warming Trends does not warrant any services related to our Electronic and Manual Ignition Systems, including, without limitation, installation, unless we provided those services to you. You may have warranty rights from the service provider, but we make no representations or warranties express or implied regarding any third-party service provider and our warranties do not apply to failures caused by their work.

Problems or defects in the functioning of the systems due to gas plumbing or electrical installed by others are not covered by any warranty offered by Warming Trends.

## AON FIRE TABLE WARRANTIES

### Residential Installations

Warming Trends warrants the fabrication and structure of each AON™ fire table (each, an "AON") for 3 years from the purchase date. This warranty is transferable, but we reserve the right to require proof of ownership for any transferred AONs including proof that the AON was not acquired through improper means or unauthorized re-sellers. Burners and Ignition Systems included in AONs are covered by the applicable warranties above. Warming Trends warrants the powder coating on AONs for 12 months from date of delivery. Warming Trends does not warrant against any damage occurring during or after installation or for normal wear and tear, including fading due to exposure to sunlight. The flush-mounted lids are susceptible to damage due to their intended use. Chips may occur on the corners and edges of the lids over time and are not covered by warranty. Warming Trends recommends covering your AON during inclement weather or seasonal changes.

### Commercial Installations

Warming Trends warrants the fabrication and structure of each AON for 1 year from the purchase date. This warranty is transferable, but we reserve the right to require proof of ownership for any transferred AONs including proof that the AON was not acquired through improper means or unauthorized re-sellers. Burners and Ignition Systems included in AONs are covered by the applicable warranties above. Warming Trends warrants the powder coating on AONs for 12 months from date of delivery. Warming Trends does not warrant against any damage occurring during or after installation or for normal wear and tear, including fading due to exposure to sunlight. The flush mounted lids are susceptible to damage due to their intended use. Chips may occur on the corners and edges of the lids over time and are not covered by warranty. Warming Trends recommends covering your AON during inclement weather or seasonal changes.

## ITEMS NOT COVERED BY WARRANTIES FOR AON FIRE TABLES

Media made from ceramic or steel must be at least 4" from edges of the AON as excessive heat can cause warping and damage to the structure of the AON. Incorrect use of media shall void the above warranties.

Warming Trends does not warrant against the natural process of steel aging or rusting.

Warming Trends does not warrant any services related to our AONs, including installation, unless we provided those services to you. You may have warranty rights from the service provider, but we make no representations or warranties express or implied regarding any third-party service provider and our warranties do not apply to failures caused by their work. Warming Trends does not warrant against damage caused by improper ventilation. AON's are equipped with leveling feet which are to be used to create ventilation around the entire base perimeter of up to 2" of clear space.

## DISCLAIMER OF ADDITIONAL WARRANTIES

**OTHER THAN THE SPECIFIC WARRANTIES SET FORTH IN THIS WARRANTY POLICY, WARMING TRENDS MAKES NO REPRESENTATIONS OR WARRANTIES WITH RESPECT TO ITS BURNERS OR IGNITION SYSTEMS, WHETHER EXPRESS OR IMPLIED, INCLUDING, BUT NOT LIMITED TO, IMPLIED WARRANTIES OF MERCHANTABILITY AND FITNESS FOR A PARTICULAR PURPOSE.**

No dealer, distributor, or other person has the authority to represent or warrant a Warming Trends product beyond the terms contained within this warranty, and Warming Trends assumes no liability for such warranty representations. Any questions concerning this warranty should be directed to the Warming Trends corporate office or via email to [legal@warming-trends.com](mailto:legal@warming-trends.com).

## ADDITIONAL TERMS AND CONDITIONS

**ALL BURNERS AND ELECTRONICS MUST BE COVERED WHEN NOT IN USE OR WARRANTY IS NULL AND VOID.**

While some of our warranties are passed-through or provided in cooperation with affiliates and/or third parties, Warming Trends will honor the warranties contained in this Warranty Policy for all products purchased from us, but we may coordinate internally with the necessary third parties in order to do so.

WE DIDN'T INVENT FIRE,  
WE PERFECTED IT.

Learn More



WARMING  TRENDS®